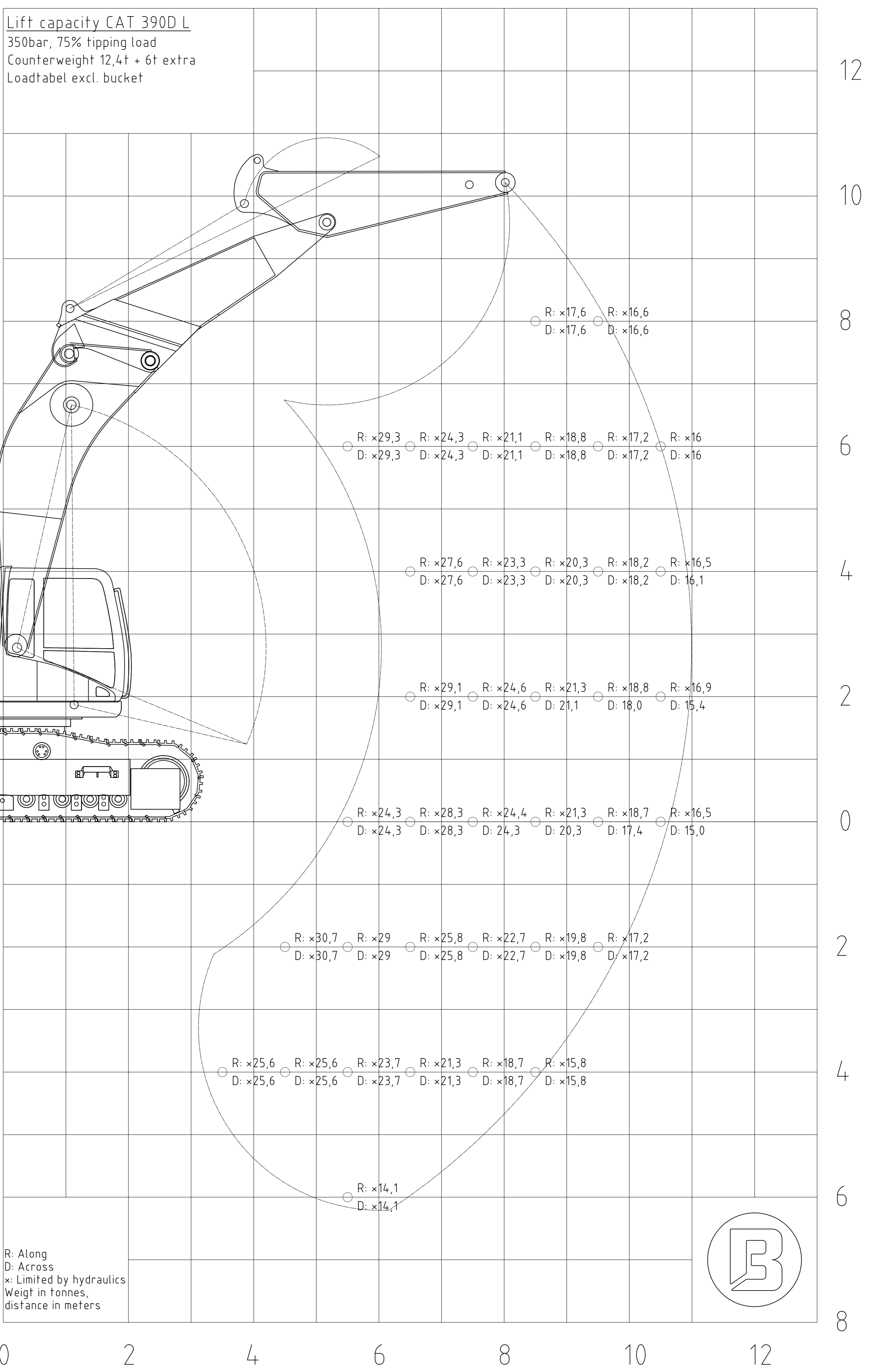
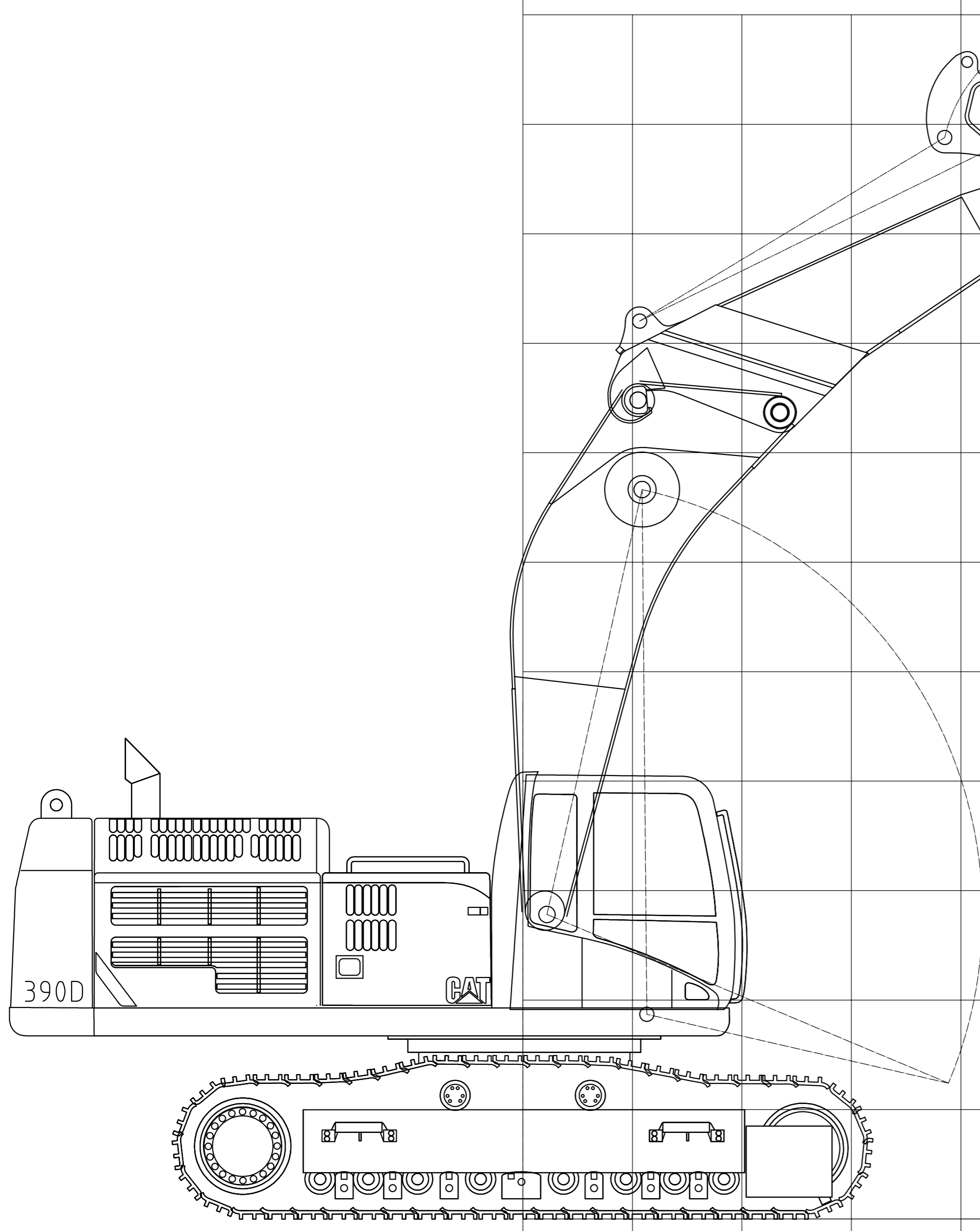


Lift capacity CAT 390D L
 350bar, 75% tipping load
 Counterweight 12,4t + 6t extra
 Loadlabel excl. bucket



R: Along
 D: Across
 x: Limited by hydraulics
 Weight in tonnes,
 distance in meters

