



M319

Wheeled Excavator

Technical Specifications

Configurations and features may vary by region. Please consult your Cat® dealer for availability in your area.

Table of Contents

| | |
|--|-----------|
| Specifications | 2 |
| Engine | 2 |
| Transmission | 2 |
| Service Refill Capacities | 2 |
| Swing Mechanism | 2 |
| Undercarriage | 2 |
| Operating Weights | 2 |
| Major Component Weights | 3 |
| Hydraulic System | 3 |
| Tires | 3 |
| Dozer Blade | 4 |
| Emissions and Safety | 4 |
| Standards | 4 |
| Sound Performance | 4 |
| Air Conditioning System | 4 |
| Dimensions | 5 |
| Undercarriage Dimensions | 6 |
| Working Ranges | 7 |
| Lift Capacities – Variable Adjustable Boom | 8 |
| Bucket Specifications and Compatibility: | |
| Europe | 14 |
| North America | 18 |
| Attachments Offering Guide: | |
| Europe | 19 |
| North America | 33 |
| Standard and Optional Equipment | 44 |
| Dealer Installed Kits and Attachments | 46 |
| Cab Options | 47 |
| M319 Environmental Declaration | 48 |

M319 Wheeled Excavator Specifications

Engine

| | | |
|-------------------------|--------------------------|-----------------------|
| Engine Model | Cat® C4.4 | |
| Engine Power | | |
| ISO 14396:2002 | 129 kW | 174 hp |
| ISO 14396:2002 (metric) | 176 hp (PS) | |
| Net Power | | |
| ISO 9249:2014 | 128 kW | 171 hp |
| ISO 9249:2014 (metric) | 174 hp (PS) | |
| Bore | 105 mm | 4.1 in |
| Stroke | 127 mm | 5.0 in |
| Displacement | 4.4 L | 268.5 in ³ |
| Biodiesel Capability | Up to B20 ⁽¹⁾ | |
| Number of Cylinders | 4 | |

- Meets U.S. EPA Tier 4 Final and EU Stage V emission standards.
- Net power advertised is the power available at the flywheel when engine is equipped with fan, air cleaner, CEM exhaust gas aftertreatment, alternator, and cooling fan running at intermediate speed.
- Rated speed 2,200 rpm.

⁽¹⁾Cat diesel engines are required to use ULSD (ultra-low sulfur diesel fuel with 15 ppm of sulfur or less) or ULSD blended with the following lower-carbon intensity fuels up to:

- ✓ 20% biodiesel FAME (fatty acid methyl ester)*
- ✓ 100% renewable diesel, HVO (hydrotreated vegetable oil) and GTL (gas-to-liquid) fuels

Refer to guidelines for successful application. Please consult your Cat dealer or “Caterpillar Machine Fluids Recommendations” (SEBU6250) for details.

**Engines with no aftertreatment devices can use higher blends, up to 100% biodiesel (for use of blends higher than 20% biodiesel, consult your Cat dealer).*

Transmission

| | | |
|---|----------|------------|
| Forward/Reverse | | |
| 1st Gear | 10 km/h | 6.2 mph |
| 2nd Gear | 35 km/h | 21.7 mph |
| Creeper Speed | | |
| 1st Gear | 5.5 km/h | 3.4 mph |
| 2nd Gear | 15 km/h | 9.3 mph |
| Drawbar Pull | 104 kN | 23,380 lbf |
| Maximum Gradeability at (19 000 kg/41,850 lb) | 65% | |

Service Refill Capacities

| | | |
|------------------------------------|--------|----------|
| Fuel Tank (total capacity) | 290 L | 76.6 gal |
| Diesel Exhaust Fluid Tank | 20 L | 5.3 gal |
| Cooling System | 35 L | 9.2 gal |
| Engine Oil | 13 L | 3.4 gal |
| Hydraulic Tank | 120 L | 31.7 gal |
| Hydraulic System (including tank) | 280 L | 74 gal |
| Rear Axle Housing (differential) | 14 L | 3.7 gal |
| Front Steering Axle (differential) | 10.5 L | 2.8 gal |
| Final Drive (each) | 2.5 L | 0.7 gal |
| Powershift Transmission | 2.5 L | 0.7 gal |

Swing Mechanism

| | | |
|----------------------|-----------|---------------|
| Maximum Swing Speed | 9.4 rpm | |
| Maximum Swing Torque | 47.1 kN·m | 34,739 lbf-ft |

Undercarriage

| | | |
|----------------------------------|---------|---------|
| Ground Clearance | 360 mm | 14.2 in |
| Maximum Steering Angle | 35° | |
| Oscillation Axle Angle | ± 8.5° | |
| Minimum Turning Radius | | |
| Outside of Tire | 6600 mm | 21.6 ft |
| Outside of Tire (plastic fender) | 7900 mm | 25.9 ft |
| End of Variable Adjustable Boom | 7100 mm | 23.3 ft |

Operating Weights*

| | | |
|---------|-----------|-----------|
| Minimum | 19 000 kg | 41,890 lb |
| Maximum | 21 050 kg | 46,410 lb |

Typical Configurations

| | | |
|----------------------------|-----------|-----------|
| Variable Adjustable Boom** | | |
| Rear Blade Only | 19 250 kg | 42,440 lb |
| Blade and Outriggers | 20 250 kg | 44,640 lb |
| Front and Rear Outriggers | 20 450 kg | 45,080 lb |

*Operating weight includes full fuel tank, operator, bucket 700 kg (1,540 lb) and dual pneumatic tires. Weight varies depending on configuration.

**Typical configurations include 2.5 m (8'2") stick, bucket and 220 kg (485 lb) quick coupler.

M319 Wheeled Excavator Specifications

Major Component Weights

| | | |
|--|---------|-----------|
| Booms (including VA and stick cylinder, pins and standard hydraulic lines) | | |
| 5.2 m (17'1") Variable Adjustable Boom | 2200 kg | 4,850 lb |
| Sticks (including cylinder, bucket linkage, pins and standard hydraulic lines) | | |
| 2.2 m (7'3") Stick* | 790 kg | 1,740 lb |
| 2.5 m (8'2") Stick | 810 kg | 1,790 lb |
| 2.9 m (9'6") Stick | 860 kg | 1,900 lb |
| Counterweight | | |
| 5000 kg (11,020 lb) Counterweight | 5000 kg | 11,020 lb |
| Undercarriage (including axles, standard tires and steps) | | |
| Rear Blade | 4950 kg | 10,910 lb |
| Front Blade/Rear Outrigger | 6000 kg | 13,230 lb |
| Rear Outrigger/Front Blade | 6000 kg | 13,230 lb |
| Rear Outrigger/Front Outrigger | 6200 kg | 13,670 lb |
| Buckets | | |
| CW Bucket GD 1200 mm (47"), 0.91 m ³ (1.19 yd ³) | 610 kg | 1,340 lb |
| Pin-On Bucket GD 1200 mm (47"), 0.91 m ³ (1.19 yd ³) | 650 kg | 1,430 lb |
| Quick Couplers | | |
| CW30 Dedicated Quick Coupler | 220 kg | 490 lb |
| Pin Grabber Quick Coupler | 300 kg | 660 lb |

*Europe only.

Hydraulic System

| | | |
|--------------------------------------|------------|--------------|
| Maximum Pressure – Implement Circuit | | |
| Normal | 35 000 kPa | 5,076 psi |
| Heavy Lift | 37 000 kPa | 5,366 psi |
| Travel Circuit | 35 000 kPa | 5,076 psi |
| Maximum Pressure – Auxiliary Circuit | | |
| High Pressure | 35 000 kPa | 5,076 psi |
| Medium Pressure | 17 000 kPa | 2,466 psi |
| Swing Mechanism | 35 000 kPa | 5,076 psi |
| Maximum Flow | | |
| Implements | 254 L/min | 67 gal/min |
| Travel Circuit | 210 L/min | 56 gal/min |
| Auxiliary Circuit | | |
| High Pressure | 250 L/min | 66.0 gal/min |
| Medium Pressure | 55 L/min | 14.5 gal/min |
| Swing Mechanism | 98 L/min | 25.9 gal/min |
| Cylinders | | |
| Boom Cylinder (VA) – Bore | 120 mm | 0'5" |
| Boom Cylinder (VA) – Stroke | 954 mm | 3'2" |
| VAB Cylinder – Bore | 140 mm | 0'6" |
| VAB Cylinder – Stroke | 743 mm | 2'5" |
| Stick Cylinder – Bore | 120 mm | 0'5" |
| Stick Cylinder – Stroke | 1147 mm | 3'9" |
| Bucket Cylinder – Bore | 100 mm | 0'4" |
| Bucket Cylinder – Stroke | 1055 mm | 3'6" |

Tires

| | |
|----------|---|
| Standard | 10.00-20 (dual pneumatic) |
| Optional | 11.00-20 (dual pneumatic) 315/70R22.5 (dual pneumatic without spacer) 445/70/R19.5 TL XF (single pneumatic) |

M319 Wheeled Excavator Specifications

Dozer Blade

| | | |
|-------------------------------------|----------|-------|
| Blade Type | Parallel | |
| Width | 2540 mm | 8'4" |
| Width (wide axles) | 2750 mm | 9'0" |
| Blade Roll-Over Height | 570 mm | 1'10" |
| Blade Total Height | 610 mm | 2'0" |
| Maximum Lowering Depth From Ground | 130 mm | 0'5" |
| Maximum Raising Height Above Ground | 495 mm | 1'7" |

Emissions and Safety

| | | |
|---|-----------------------------|------------------------|
| Engine Emissions | Tier 4 Final and EU Stage V | |
| Vibration Levels | | |
| Maximum Hand/Arm (ISO 5349-2001) | <2.5 m/s ² | <8.2 ft/s ² |
| Maximum Whole Body (ISO/TR 25398:2006) | <0.5 m/s ² | <1.6 ft/s ² |
| Seat Transmissibility Factor (ISO 7096:2000-spectral class EM5) | <0.7 | |

Standards

| | |
|--|---|
| Brakes | ISO 3450:2011 |
| Cab (ROPS) | ISO 12117-2:2008 |
| FOPS (Falling Object Protective Structure) | ISO 10262:1998 |
| Cab/Sound Levels | Meets appropriate standards as listed below |

Sound Performance

| | |
|-----------------|----------|
| Operator Sound | |
| 2000/14/EC | 70 dB(A) |
| Spectator Sound | |
| 2000/14/EC | 98 dB(A) |

- Operator Sound – The operator sound level is measured according to the procedures specified in 2000/14/EC, for a cab offered by Caterpillar, when properly installed and maintained and tested with the door and windows closed.
- Exterior Sound – The labeled spectator sound power level is measured according to the test procedures and conditions specified in 2000/14/EC.
- Hearing protection may be needed when operating with an open operator station and cab (when not properly maintained for doors/windows open) for extended periods or in noisy environment(s).

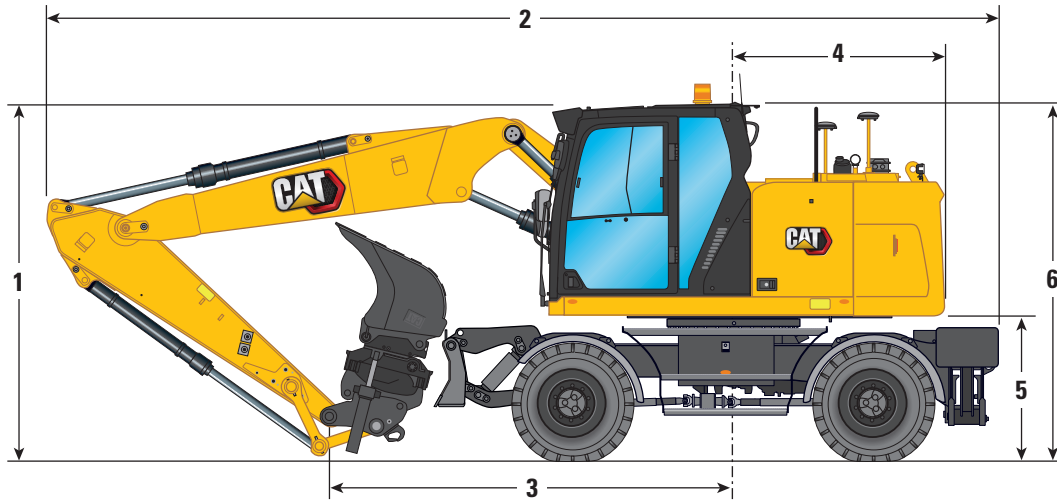
Air Conditioning System

The air conditioning system on this machine contains the fluorinated greenhouse gas refrigerant R134a (Global Warming Potential = 1430). The system contains 1.0 kg of refrigerant, which has a CO₂ equivalent of 1.43 metric tonnes.

M319 Wheeled Excavator Specifications

Dimensions

All Dimensions are approximate. Values are with 10.00-20 Dual Pneumatic Tires.



Boom Option

Variable Adjustable Boom 5.2 m (17'1")

Stick Options

2.2 m (7'3")

2.5 m (8'2")

2.9 m (9'6")

1 Shipping Height

With Falling Object Guard (highest point between boom and cab)

3360 mm (11'0")

3360 mm (11'0")

3380 mm (11'1")

Without Falling Object Guard

3230 mm (10'7")

3250 mm (10'8")

3390 mm (11'1")

2 Shipping Length

8160 mm (26'9")

8110 mm (26'7")

8080 mm (26'6")

3 Support Point

3860 mm (12'8")

3520 mm (11'7")

3340 mm (10'11")

4 Tail Swing Radius

1900 mm (6'3")

1900 mm (6'3")

1900 mm (6'3")

5 Counterweight Clearance

1300 mm (4'3")

1300 mm (4'3")

1300 mm (4'3")

6 Cab Height

No Falling Object Guard

3200 mm (10'6")

3200 mm (10'6")

3200 mm (10'6")

With Falling Object Guard

3360 mm (11'0")

3360 mm (11'0")

3360 mm (11'0")

Overall Machine Width

7 Width with Outriggers on Ground

3820 mm (12'6")

3820 mm (12'6")

3820 mm (12'6")

8 Width with Outriggers Up

2540 mm (8'4")

2540 mm (8'4")

2540 mm (8'4")

9 Width with Blade

2540 mm (8'4")

2540 mm (8'4")

2540 mm (8'4")

Width with Blade (wide axles)

2750 mm (9'0")

2750 mm (9'0")

2750 mm (9'0")

10 Width with Outriggers Fully Down

3650 mm (12'0")

3650 mm (12'0")

3650 mm (12'0")

Enclosure Height (doors)

2500 mm (8'2")

2500 mm (8'2")

2500 mm (8'2")

11 Upperframe Width

2540 mm (8'4")

2540 mm (8'4")

2540 mm (8'4")

Roading Position

12 Steering Wheel to Linkage in Roading Position

3260 mm (10'8")

3250 mm (10'8")

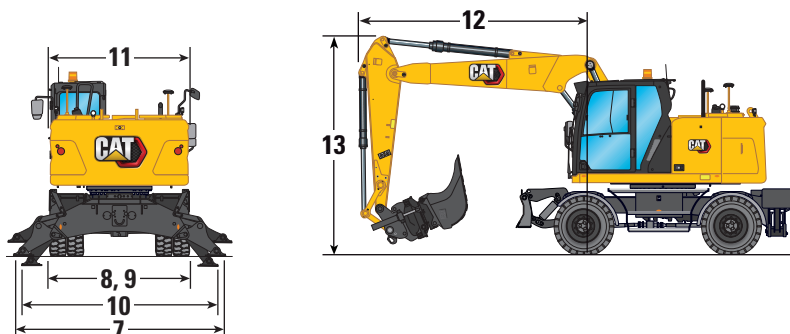
—

13 Height in Roading Position

3970 mm (13'0")

3990 mm (13'1")

—



M319 Wheeled Excavator Specifications

Undercarriage Dimensions

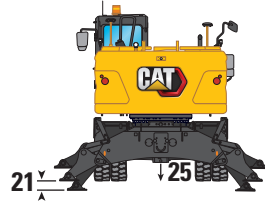
All Dimensions are approximate.

| Undercarriage | Rear Blade | Rear Blade/ Front Outrigger | Rear Outrigger/ Front Blade | Rear Outrigger/ Front Outrigger |
|---|-----------------|--------------------------------|--------------------------------|------------------------------------|
| 14 Overall Undercarriage Length | 4440 mm (14'7") | 5050 mm (16'7") | 5050 mm (16'7") | 4955 mm (16'3") |
| 15 Wheel Base | 2700 mm (8'10") | 2700 mm (8'10") | 2700 mm (8'10") | 2700 mm (8'10") |
| 16 Swing Bearing Center to Rear Axle | 1250 mm (4'1") | 1250 mm (4'1") | 1250 mm (4'1") | 1250 mm (4'1") |
| 17 Swing Bearing Center to Front Axle | 1450 mm (4'9") | 1450 mm (4'9") | 1450 mm (4'9") | 1450 mm (4'9") |
| 18 Rear Axle to Rear Outrigger (mid) | — | — | 875 mm (2'10") | 875 mm (2'10") |
| 19 Front Axle to Front Outrigger (mid) | — | 875 mm (2'10") | — | 875 mm (2'10") |
| 20 Rear Axle to Parallel Blade (end) | 1200 mm (3'11") | 1200 mm (3'11") | — | — |
| Front Axle to Parallel Blade (end) | — | — | 1245 mm (4'1") | — |
| 21 Maximum Outrigger Depth | — | 120 mm (0'5") | 120 mm (0'5") | 120 mm (0'5") |
| 22 Blade Width (standard axles) | 2540 mm (8'4") | 2540 mm (8'4") | 2540 mm (8'4") | — |
| Blade Width (wide axles) | 2750 mm (9'0") | 2750 mm (9'0") | 2750 mm (9'0") | — |
| Maximum Blade Depth Below Ground | 130 mm (0'5") | 130 mm (0'5") | 130 mm (0'5") | — |
| Ground Clearance | | | | |
| Lowest Step Clearance | 420 mm (1'5") | 420 mm (1'5") | 420 mm (1'5") | 420 mm (1'5") |
| 23 Outrigger Clearance | 325 mm (1'1") | 325 mm (1'1") | 325 mm (1'1") | 325 mm (1'1") |
| 24 Blade Clearance | 495 mm (1'7") | 495 mm (1'7") | 495 mm (1'7") | 495 mm (1'7") |
| 25 Axle Clearance | 360 mm (1'2") | 360 mm (1'2") | 360 mm (1'2") | 360 mm (1'2") |

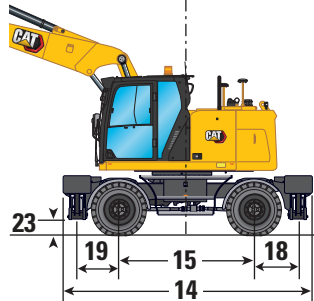
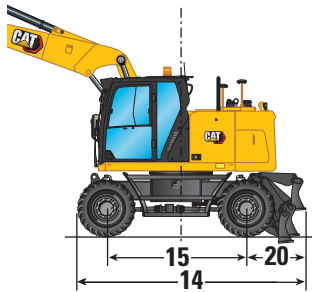
*Maximum tire clearance with outrigger fully down



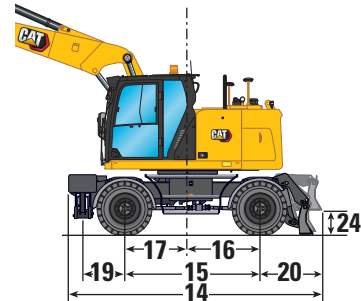
Undercarriage with dozer only



Undercarriage with 2 sets of outriggers



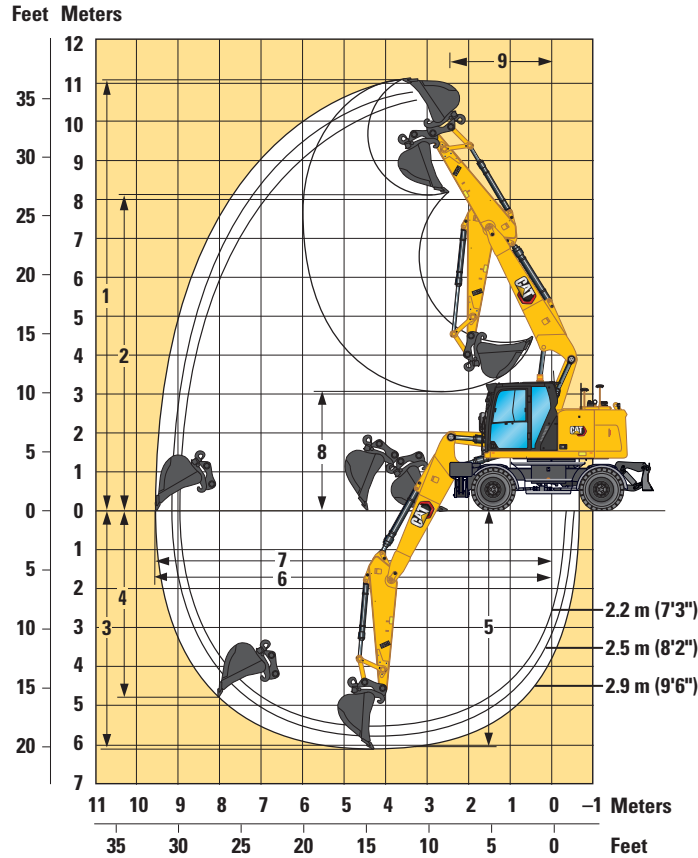
Undercarriage with 1 set of outriggers and dozer



M319 Wheeled Excavator Specifications

Working Ranges

All Dimensions are approximate. Values are with 10.00-20 Dual Pneumatic Tires.



| Boom Option | Variable Adjustable Boom | | |
|---|---|---|---|
| | 2.2 m (7'3") | 2.5 m (8'2") | 2.9 m (9'6") |
| Stick Options | | | |
| 1 Maximum Cutting Height | 10 520 mm (34'6") | 10 740 mm (35'3") | 11 110 mm (36'5") |
| 2 Maximum Loading Height | 7580 mm (24'10") | 7790 mm (25'7") | 8160 mm (26'9") |
| 3 Maximum Digging Depth | 5460 mm (17'11") | 5750 mm (18'10") | 6140 mm (20'2") |
| 4 Maximum Vertical Wall Digging Depth | 4230 mm (13'11") | 4450 mm (14'7") | 4830 mm (15'10") |
| 5 Maximum Depth Cut for 2440 mm (8'0") Level Bottom | 5350 mm (17'7") | 5640 mm (18'6") | 6050 mm (19'10") |
| 6 Maximum Reach | 9140 mm (30'0") | 9390 mm (30'10") | 9610 mm (31'6") |
| 7 Maximum Reach at Ground Line | 8960 mm (29'5") | 9210 mm (30'3") | 9610 mm (31'6") |
| 8 Minimum Loading Height | 3780 mm (12'5") | 3430 mm (11'3") | 3100 mm (10'2") |
| 9 Minimum Front Swing Radius | 2150 mm (7'1") | 2180 mm (7'2") | 2400 mm (7'10") |
| Bucket Forces (ISO) | 119 kN (26,752 lbf) | 119 kN (26,752 lbf) | 119 kN (26,752 lbf) |
| Stick Forces (ISO) | 81 kN (18,210 lbf) | 75 kN (16,861 lbf) | 67 kN (15,062 lbf) |
| Bucket Type | GD | GD | GD |
| Bucket Capacity | 0.91 m ³ (1.19 yd ³) | 0.91 m ³ (1.19 yd ³) | 0.91 m ³ (1.19 yd ³) |
| Bucket Tip Radius (Pin-On) | 1378 mm (4'6") | 1378 mm (4'6") | 1378 mm (4'6") |
| Bucket Tip Radius (QC) | 1484 mm (4'10") | 1484 mm (4'10") | 1484 mm (4'10") |

Range values are with dual pneumatic tires (10.00-20).

Range values are calculated with a GD bucket (CW) and CW quick coupler with a tip radius of 1484 mm (4'10").

Force values are calculated with heavy lift on, a GD bucket (pin-on) and a tip radius of 1378 mm (4'6").

M319 Wheeled Excavator Specifications

Lift Capacities – Variable Adjustable Boom 2.2 m Stick

All values are in kg, work tool: none, bucket cylinder and bucket linkage installed, counterweight: 5000 kg, heavy lift function on.

| | | Load at maximum reach (sticknose/bucket pin) | | | Load over front | | | Load over rear | | | Load over side | | | Load point height | | | |
|----------|---|--|-------|-------|-----------------|-------|-------|----------------|-------|-------|----------------|-------|------|-------------------|-------|-------|------|
| | Undercarriage configuration | 3000 mm | | | 4500 mm | | | 6000 mm | | | 7500 mm | | | mm | | | |
| | | | | | | | | | | | | | | | | | mm |
| 9000 mm | Free on Wheels | | | | | | | | | | | | | *9450 | *9450 | *9450 | 1630 |
| | Front Empty – Rear Dozer – Stabilized | | | | | | | | | | | | | *9450 | *9450 | *9450 | |
| | Front Dozer – Rear Stabilizer – Stabilized | | | | | | | | | | | | | *9450 | *9450 | *9450 | |
| | Front Stabilizer – Rear Stabilizer – Stabilized | | | | | | | | | | | | | *9450 | *9450 | *9450 | |
| | Free on Wheels – Wide Axles | | | | | | | | | | | | | *9450 | *9450 | *9450 | |
| 7500 mm | Free on Wheels | | | | *5900 | *5900 | 4700 | | | | | | | *4450 | *4450 | 4000 | 4920 |
| | Front Empty – Rear Dozer – Stabilized | | | | *5900 | *5900 | 5250 | | | | | | | *4450 | *4450 | *4450 | |
| | Front Dozer – Rear Stabilizer – Stabilized | | | | *5900 | *5900 | *5900 | | | | | | | *4450 | *4450 | *4450 | |
| | Front Stabilizer – Rear Stabilizer – Stabilized | | | | *5900 | *5900 | *5900 | | | | | | | *4450 | *4450 | *4450 | |
| | Free on Wheels – Wide Axles | | | | *5900 | *5900 | 5200 | | | | | | | *4450 | *4450 | 4400 | |
| 6000 mm | Free on Wheels | | | | *5850 | *5850 | 4750 | *4900 | 3700 | 2950 | | | | *3700 | 3350 | 2650 | 6330 |
| | Front Empty – Rear Dozer – Stabilized | | | | *5850 | *5850 | 5300 | 4900 | *4900 | 3300 | | | | *3700 | *3700 | 2950 | |
| | Front Dozer – Rear Stabilizer – Stabilized | | | | *5850 | *5850 | *5850 | *4900 | *4900 | *4900 | | | | *3700 | *3700 | *3700 | |
| | Front Stabilizer – Rear Stabilizer – Stabilized | | | | *5850 | *5850 | *5850 | *4900 | *4900 | *4900 | | | | *3700 | *3700 | *3700 | |
| | Free on Wheels – Wide Axles | | | | *5850 | *5850 | 5200 | *4900 | 3750 | 3250 | | | | *3700 | 3350 | 2950 | |
| 4500 mm | Free on Wheels | | | | *6450 | 5750 | 4500 | 4850 | 3650 | 2900 | | | | *3450 | 2700 | 2150 | 7140 |
| | Front Empty – Rear Dozer – Stabilized | | | | *6450 | *6450 | 5050 | 4850 | *5000 | 3250 | | | | *3450 | *3450 | 2400 | |
| | Front Dozer – Rear Stabilizer – Stabilized | | | | *6450 | *6450 | *6450 | *5000 | *5000 | 4900 | | | | *3450 | *3450 | *3450 | |
| | Front Stabilizer – Rear Stabilizer – Stabilized | | | | *6450 | *6450 | *6450 | *5000 | *5000 | *5000 | | | | *3450 | *3450 | *3450 | |
| | Free on Wheels – Wide Axles | | | | *6450 | 5800 | 5000 | 4900 | 3650 | 3200 | | | | *3450 | 2750 | 2350 | |
| 3000 mm | Free on Wheels | | | | 7250 | 5350 | 4150 | 4700 | 3500 | 2750 | 3350 | 2450 | 1950 | 3300 | 2450 | 1900 | 7560 |
| | Front Empty – Rear Dozer – Stabilized | | | | 7250 | *7400 | 4650 | 4650 | *5300 | 3050 | 3300 | *4050 | 2150 | 3250 | *3350 | 2150 | |
| | Front Dozer – Rear Stabilizer – Stabilized | | | | *7400 | *7400 | 7350 | *5300 | *5300 | 4750 | *4050 | *4050 | 3350 | *3350 | *3350 | 3300 | |
| | Front Stabilizer – Rear Stabilizer – Stabilized | | | | *7400 | *7400 | *7400 | *5300 | *5300 | *5300 | *4050 | *4050 | 4050 | *3350 | *3350 | *3350 | |
| | Free on Wheels – Wide Axles | | | | 7300 | 5400 | 4600 | 4700 | 3500 | 3050 | 3350 | 2500 | 2150 | 3300 | 2450 | 2100 | |
| 1500 mm | Free on Wheels | | | | 6900 | 5000 | 3800 | 4550 | 3350 | 2600 | 3300 | 2400 | 1900 | 3200 | 2350 | 1800 | 7660 |
| | Front Empty – Rear Dozer – Stabilized | | | | 6850 | *8600 | 4300 | 4500 | *5750 | 2900 | 3250 | *4450 | 2100 | 3150 | *3450 | 2050 | |
| | Front Dozer – Rear Stabilizer – Stabilized | | | | *8600 | *8600 | 6950 | *5750 | *5750 | 4550 | *4450 | *4450 | 3300 | *3450 | *3450 | 3200 | |
| | Front Stabilizer – Rear Stabilizer – Stabilized | | | | *8600 | *8600 | 8600 | *5750 | *5750 | 5500 | *4450 | *4450 | 3950 | *3450 | *3450 | *3450 | |
| | Free on Wheels – Wide Axles | | | | 6950 | 5000 | 4250 | 4550 | 3350 | 2900 | 3300 | 2400 | 2100 | 3200 | 2350 | 2050 | |
| 0 mm | Free on Wheels | | | | 6700 | 4850 | 3650 | 4400 | 3250 | 2500 | | | | 3300 | 2400 | 1850 | 7440 |
| | Front Empty – Rear Dozer – Stabilized | | | | 6700 | *8400 | 4150 | 4400 | *6150 | 2800 | | | | 3250 | *3750 | 2100 | |
| | Front Dozer – Rear Stabilizer – Stabilized | | | | *8400 | *8400 | 6800 | *6150 | *6150 | 4450 | | | | *3750 | *3750 | 3300 | |
| | Front Stabilizer – Rear Stabilizer – Stabilized | | | | *8400 | *8400 | 8400 | *6150 | *6150 | 5400 | | | | *3750 | *3750 | *3750 | |
| | Free on Wheels – Wide Axles | | | | 6750 | 4850 | 4100 | 4450 | 3250 | 2800 | | | | 3300 | 2400 | 2100 | |
| –1500 mm | Free on Wheels | *6700 | *6700 | 6650 | 6700 | 4800 | 3650 | 4400 | 3200 | 2450 | | | | 3650 | 2700 | 2100 | 6890 |
| | Front Empty – Rear Dozer – Stabilized | *6700 | *6700 | *6700 | 6650 | *7350 | 4150 | 4350 | *5400 | 2800 | | | | 3650 | *4050 | 2350 | |
| | Front Dozer – Rear Stabilizer – Stabilized | *6700 | *6700 | *6700 | *7350 | *7350 | 6750 | *5400 | *5400 | 4450 | | | | *4050 | *4050 | 3700 | |
| | Front Stabilizer – Rear Stabilizer – Stabilized | *6700 | *6700 | *6700 | *7350 | *7350 | *7350 | *5400 | *5400 | 5400 | | | | *4050 | *4050 | *4050 | |
| | Free on Wheels – Wide Axles | *6700 | *6700 | *6700 | 6750 | 4850 | 4100 | 4400 | 3200 | 2750 | | | | 3700 | 2700 | 2350 | |

*Limited by hydraulic rather than tipping load.

Oscillating axle needs to be locked. Weight of all lifting accessories must be subtracted from the lifting capacities. All lift capacities calculated and rated per ISO 10567:2007. Rated loads do not exceed 87% of hydraulic lift capacity or 75% of tipping load. Heavy Lift Function ON. Lifting capacities are based on the machine standing on a firm uniform supporting surface. The load point is the center line of the bucket pivot mounting pin on the stick. Lift capacity is calculated with VA cylinder completely extracted. The use of a work tool attachment point to handle/lift objects, could affect the machine lift performance.

Always refer to the appropriate Operation and Maintenance Manual for specific product information.

M319 Wheeled Excavator Specifications

Lift Capacities – Variable Adjustable Boom 7'3" Stick

All values are in lb, work tool: none, bucket cylinder and bucket linkage installed, counterweight: 11,030 lb, heavy lift function on.

| | | Load at maximum reach (sticknose/bucket pin) | | | Load over front | | | Load over rear | | | Load over side | | | Load point height | | | | | |
|-------|---|--|---------|---------|-----------------|---------|---------|----------------|---------|---------|----------------|--------|-------|-------------------|--------|--------|---------|---------|---------|
| | Undercarriage configuration | 10 ft | | | 15 ft | | | 20 ft | | | 25 ft | | | | | | | | |
| | | | | | | | | | | | | | | | | | ft | | |
| 25 ft | Free on Wheels | | | | *12,100 | *12,100 | 10,100 | | | | | | | | | | *10,100 | *10,100 | 9,300 |
| | Front Empty – Rear Dozer – Stabilized | | | | *12,100 | *12,100 | 11,200 | | | | | | | | | | *10,100 | *10,100 | *10,100 |
| | Front Dozer – Rear Stabilizer – Stabilized | | | | *12,100 | *12,100 | *12,100 | | | | | | | | | | *10,100 | *10,100 | *10,100 |
| | Front Stabilizer – Rear Stabilizer – Stabilized | | | | *12,100 | *12,100 | *12,100 | | | | | | | | | | *10,100 | *10,100 | *10,100 |
| | Free on Wheels – Wide Axles | | | | *12,100 | *12,100 | 11,100 | | | | | | | | | | *10,100 | *10,100 | *10,100 |
| 20 ft | Free on Wheels | | | | *12,900 | *12,900 | 10,200 | 10,500 | 8,000 | 6,300 | | | | | | | *8,200 | 7,500 | 6,000 |
| | Front Empty – Rear Dozer – Stabilized | | | | *12,900 | *12,900 | 11,400 | 10,500 | *10,600 | 7,000 | | | | | | | *8,200 | *8,200 | 6,700 |
| | Front Dozer – Rear Stabilizer – Stabilized | | | | *12,900 | *12,900 | *12,900 | *10,600 | *10,600 | *10,600 | | | | | | | *8,200 | *8,200 | *8,200 |
| | Front Stabilizer – Rear Stabilizer – Stabilized | | | | *12,900 | *12,900 | *12,900 | *10,600 | *10,600 | *10,600 | | | | | | | *8,200 | *8,200 | *8,200 |
| | Free on Wheels – Wide Axles | | | | *12,900 | *12,900 | 11,200 | *10,600 | 8,000 | 6,900 | | | | | | | *8,200 | 7,600 | 6,600 |
| 15 ft | Free on Wheels | | | | *14,000 | 12,400 | 9,700 | 10,500 | 7,900 | 6,200 | | | | | | | *7,600 | 6,000 | 4,700 |
| | Front Empty – Rear Dozer – Stabilized | | | | *14,000 | *14,000 | 10,900 | 10,400 | *10,800 | 6,900 | | | | | | | *7,600 | *7,600 | 5,300 |
| | Front Dozer – Rear Stabilizer – Stabilized | | | | *14,000 | *14,000 | *14,000 | *10,800 | *10,800 | 10,600 | | | | | | | *7,600 | *7,600 | *7,600 |
| | Front Stabilizer – Rear Stabilizer – Stabilized | | | | *14,000 | *14,000 | *14,000 | *10,800 | *10,800 | *10,800 | | | | | | | *7,600 | *7,600 | *7,600 |
| | Free on Wheels – Wide Axles | | | | *14,000 | 12,500 | 10,800 | 10,500 | 7,900 | 6,900 | | | | | | | *7,600 | 6,100 | 5,300 |
| 10 ft | Free on Wheels | | | | 15,700 | 11,600 | 8,900 | 10,100 | 7,500 | 5,900 | | | | | | | 7,300 | 5,400 | 4,200 |
| | Front Empty – Rear Dozer – Stabilized | | | | 15,600 | *15,900 | 10,100 | 10,100 | *11,400 | 6,600 | | | | | | | 7,200 | *7,400 | 4,700 |
| | Front Dozer – Rear Stabilizer – Stabilized | | | | *15,900 | *15,900 | 15,800 | *11,400 | *11,400 | 10,200 | | | | | | | *7,400 | *7,400 | 7,300 |
| | Front Stabilizer – Rear Stabilizer – Stabilized | | | | *15,900 | *15,900 | *15,900 | *11,400 | *11,400 | *11,400 | | | | | | | *7,400 | *7,400 | *7,400 |
| | Free on Wheels – Wide Axles | | | | 15,800 | 11,600 | 9,900 | 10,200 | 7,600 | 6,600 | | | | | | | 7,300 | 5,400 | 4,700 |
| 5 ft | Free on Wheels | | | | 14,800 | 10,800 | 8,200 | 9,800 | 7,200 | 5,600 | 7,100 | 5,200 | 4,000 | 7,000 | 5,200 | 4,000 | 7,000 | 5,200 | 4,000 |
| | Front Empty – Rear Dozer – Stabilized | | | | 14,800 | *18,600 | 9,300 | 9,700 | *12,400 | 6,300 | 7,000 | *8,800 | 4,600 | 7,000 | *7,600 | 4,500 | *7,600 | *7,600 | 4,500 |
| | Front Dozer – Rear Stabilizer – Stabilized | | | | *18,600 | *18,600 | 15,000 | *12,400 | *12,400 | 9,900 | *8,800 | *8,800 | 7,100 | *7,600 | *7,600 | 7,100 | *7,600 | *7,600 | *7,600 |
| | Front Stabilizer – Rear Stabilizer – Stabilized | | | | *18,600 | *18,600 | 18,500 | *12,400 | *12,400 | 11,900 | *8,800 | *8,800 | 8,600 | *7,600 | *7,600 | *7,600 | *7,600 | *7,600 | *7,600 |
| | Free on Wheels – Wide Axles | | | | 14,900 | 10,800 | 9,200 | 9,800 | 7,200 | 6,200 | 7,100 | 5,200 | 4,500 | 7,100 | 5,200 | 4,500 | 7,100 | 5,200 | 4,500 |
| 0 ft | Free on Wheels | | | | 14,400 | 10,400 | 7,900 | 9,500 | 7,000 | 5,400 | | | | | | | 7,200 | 5,300 | 4,100 |
| | Front Empty – Rear Dozer – Stabilized | | | | 14,400 | *18,200 | 9,000 | 9,500 | *13,300 | 6,100 | | | | | | | 7,200 | *8,300 | 4,700 |
| | Front Dozer – Rear Stabilizer – Stabilized | | | | *18,200 | *18,200 | 14,600 | *13,300 | *13,300 | 9,600 | | | | | | | *8,300 | *8,300 | 7,300 |
| | Front Stabilizer – Rear Stabilizer – Stabilized | | | | *18,200 | *18,200 | 18,000 | *13,300 | *13,300 | 11,600 | | | | | | | *8,300 | *8,300 | *8,300 |
| | Free on Wheels – Wide Axles | | | | 14,500 | 10,500 | 8,800 | 9,600 | 7,000 | 6,000 | | | | | | | 7,300 | 5,300 | 4,600 |
| -5 ft | Free on Wheels | *15,400 | *15,400 | 14,300 | 14,400 | 10,400 | 7,800 | 9,500 | 6,900 | 5,300 | | | | | | | 8,100 | 6,000 | 4,600 |
| | Front Empty – Rear Dozer – Stabilized | *15,400 | *15,400 | *15,400 | 14,300 | *16,000 | 8,900 | 9,400 | *11,600 | 6,000 | | | | | | | 8,100 | *8,900 | 5,200 |
| | Front Dozer – Rear Stabilizer – Stabilized | *15,400 | *15,400 | *15,400 | *16,000 | *16,000 | 14,600 | *11,600 | *11,600 | 9,600 | | | | | | | *8,900 | *8,900 | 8,200 |
| | Front Stabilizer – Rear Stabilizer – Stabilized | *15,400 | *15,400 | *15,400 | *16,000 | *16,000 | *16,000 | *11,600 | *11,600 | 11,600 | | | | | | | *8,900 | *8,900 | *8,900 |
| | Free on Wheels – Wide Axles | *15,400 | *15,400 | *15,400 | 14,500 | 10,400 | 8,800 | 9,500 | 7,000 | 6,000 | | | | | | | 8,200 | 6,000 | 5,100 |

*Limited by hydraulic rather than tipping load.

Oscillating axle needs to be locked. Weight of all lifting accessories must be subtracted from the lifting capacities. All lift capacities calculated and rated per ISO 10567:2007. Rated loads do not exceed 87% of hydraulic lift capacity or 75% of tipping load. Heavy Lift Function ON. Lifting capacities are based on the machine standing on a firm uniform supporting surface. The load point is the center line of the bucket pivot mounting pin on the stick. Lift capacity is calculated with VA cylinder completely extracted. The use of a work tool attachment point to handle/lift objects, could affect the machine lift performance.

Always refer to the appropriate Operation and Maintenance Manual for specific product information.

M319 Wheeled Excavator Specifications

Lift Capacities – Variable Adjustable Boom 2.5 m Stick

All values are in kg, work tool: none, bucket cylinder and bucket linkage installed, counterweight: 5000 kg, heavy lift function on.

| Stick Length | Undercarriage configuration | Load at maximum reach (sticknose/bucket pin) | | | Load over front | | | Load over rear | | | Load over side | | | Load point height | | | mm | | | | |
|--------------|---|--|---------|---------|-----------------|---------|---------|----------------|---------|---------|----------------|---------|---------|-------------------|---------|---------|----|-------|-------|-------|-------|
| | | 3000 mm | 4500 mm | 6000 mm | 7500 mm | 3000 mm | 4500 mm | 6000 mm | 7500 mm | 3000 mm | 4500 mm | 6000 mm | 7500 mm | 3000 mm | 4500 mm | 6000 mm | | | | | |
| 9000 mm | Free on Wheels | | | | | | | | | | | | | | | | | *5750 | *5750 | *5750 | |
| | Front Empty – Rear Dozer – Stabilized | | | | | | | | | | | | | | | | | | *5750 | *5750 | *5750 |
| | Front Dozer – Rear Stabilizer – Stabilized | | | | | | | | | | | | | | | | | | *5750 | *5750 | *5750 |
| | Front Stabilizer – Rear Stabilizer – Stabilized | | | | | | | | | | | | | | | | | | *5750 | *5750 | *5750 |
| | Free on Wheels – Wide Axles | | | | | | | | | | | | | | | | | | *5750 | *5750 | *5750 |
| 7500 mm | Free on Wheels | | | | *5150 | *5150 | 4800 | | | | | | | | | | | | *3600 | *3600 | 3600 |
| | Front Empty – Rear Dozer – Stabilized | | | | *5150 | *5150 | *5150 | | | | | | | | | | | | *3600 | *3600 | *3600 |
| | Front Dozer – Rear Stabilizer – Stabilized | | | | *5150 | *5150 | *5150 | | | | | | | | | | | | *3600 | *3600 | *3600 |
| | Front Stabilizer – Rear Stabilizer – Stabilized | | | | *5150 | *5150 | *5150 | | | | | | | | | | | | *3600 | *3600 | *3600 |
| | Free on Wheels – Wide Axles | | | | *5150 | *5150 | *5150 | | | | | | | | | | | | *3600 | *3600 | *3600 |
| 6000 mm | Free on Wheels | | | | *5100 | *5100 | 4800 | *4750 | 3800 | 3000 | | | | | | | | | *3100 | *3100 | 2500 |
| | Front Empty – Rear Dozer – Stabilized | | | | *5100 | *5100 | *5100 | *4750 | *4750 | 3350 | | | | | | | | | *3100 | *3100 | 2800 |
| | Front Dozer – Rear Stabilizer – Stabilized | | | | *5100 | *5100 | *5100 | *4750 | *4750 | *4750 | | | | | | | | | *3100 | *3100 | *3100 |
| | Front Stabilizer – Rear Stabilizer – Stabilized | | | | *5100 | *5100 | *5100 | *4750 | *4750 | *4750 | | | | | | | | | *3100 | *3100 | *3100 |
| | Free on Wheels – Wide Axles | | | | *5100 | *5100 | *5100 | *4750 | 3800 | 3300 | | | | | | | | | *3100 | *3100 | 2750 |
| 4500 mm | Free on Wheels | | | | *6150 | 5850 | 4600 | *4850 | 3700 | 2950 | | | | | | | | | *2950 | 2600 | 2050 |
| | Front Empty – Rear Dozer – Stabilized | | | | *6150 | *6150 | 5100 | *4850 | *4850 | 3250 | | | | | | | | | *2950 | *2950 | 2300 |
| | Front Dozer – Rear Stabilizer – Stabilized | | | | *6150 | *6150 | *6150 | *4850 | *4850 | *4850 | | | | | | | | | *2950 | *2950 | *2950 |
| | Front Stabilizer – Rear Stabilizer – Stabilized | | | | *6150 | *6150 | *6150 | *4850 | *4850 | *4850 | | | | | | | | | *2950 | *2950 | *2950 |
| | Free on Wheels – Wide Axles | | | | *6150 | 5850 | 5050 | *4850 | 3700 | 3250 | | | | | | | | | *2950 | 2600 | 2250 |
| 3000 mm | Free on Wheels | | | | *7150 | 5450 | 4200 | 4750 | 3550 | 2750 | 3350 | 2500 | 1950 | | | | | | *2900 | 2300 | 1800 |
| | Front Empty – Rear Dozer – Stabilized | | | | *7150 | *7150 | 4750 | 4700 | *5150 | 3100 | 3350 | *4150 | 2200 | | | | | | *2900 | *2900 | 2050 |
| | Front Dozer – Rear Stabilizer – Stabilized | | | | *7150 | *7150 | *7150 | *5150 | 4750 | *4150 | 3400 | *4150 | 3400 | | | | | | *2900 | *2900 | *2900 |
| | Front Stabilizer – Rear Stabilizer – Stabilized | | | | *7150 | *7150 | *7150 | *5150 | *5150 | *5150 | *4150 | *4150 | 4050 | | | | | | *2900 | *2900 | *2900 |
| | Free on Wheels – Wide Axles | | | | *7150 | 5450 | 4650 | 4750 | 3550 | 3050 | 3400 | 2500 | 2150 | | | | | | *2900 | 2350 | 2000 |
| 1500 mm | Free on Wheels | | | | 6950 | 5050 | 3850 | 4550 | 3350 | 2600 | 3300 | 2400 | 1900 | | | | | | 3050 | 2250 | 1750 |
| | Front Empty – Rear Dozer – Stabilized | | | | 6900 | *8550 | 4350 | 4550 | *5650 | 2950 | 3250 | *4350 | 2100 | | | | | | 3000 | *3050 | 1950 |
| | Front Dozer – Rear Stabilizer – Stabilized | | | | *8550 | *8550 | 7000 | *5650 | *5650 | 4600 | *4350 | *4350 | 3300 | | | | | | *3050 | *3050 | *3050 |
| | Front Stabilizer – Rear Stabilizer – Stabilized | | | | *8550 | *8550 | *8550 | *5650 | *5650 | 5550 | *4350 | *4350 | 4000 | | | | | | *3050 | *3050 | *3050 |
| | Free on Wheels – Wide Axles | | | | 7000 | 5050 | 4300 | 4600 | 3350 | 2900 | 3300 | 2450 | 2100 | | | | | | *3050 | 2250 | 1950 |
| 0 mm | Free on Wheels | | | | 6750 | 4850 | 3650 | 4400 | 3250 | 2500 | 3250 | 2350 | 1850 | | | | | | 3100 | 2300 | 1750 |
| | Front Empty – Rear Dozer – Stabilized | | | | 6700 | *8500 | 4150 | 4400 | *6200 | 2800 | 3200 | *4600 | 2050 | | | | | | 3100 | *3350 | 2000 |
| | Front Dozer – Rear Stabilizer – Stabilized | | | | *8500 | *8500 | 6800 | *6200 | *6200 | 4450 | *4600 | *4600 | 3250 | | | | | | *3350 | *3350 | 3150 |
| | Front Stabilizer – Rear Stabilizer – Stabilized | | | | *8500 | *8500 | 8400 | *6200 | *6200 | 5400 | *4600 | *4600 | 3950 | | | | | | *3350 | *3350 | *3350 |
| | Free on Wheels – Wide Axles | | | | 6750 | 4850 | 4100 | 4450 | 3250 | 2800 | 3250 | 2400 | 2050 | | | | | | 3150 | 2300 | 2000 |
| -1500 mm | Free on Wheels | | | | *6950 | *6950 | 6600 | 6700 | 4800 | 3600 | 4400 | 3200 | 2450 | | | | | | 3450 | 2550 | 1950 |
| | Front Empty – Rear Dozer – Stabilized | | | | *6950 | *6950 | *6950 | 6650 | *7650 | 4150 | 4350 | *5600 | 2800 | | | | | | 3450 | *3900 | 2200 |
| | Front Dozer – Rear Stabilizer – Stabilized | | | | *6950 | *6950 | *6950 | *7650 | *7650 | 6750 | *5600 | *5600 | 4400 | | | | | | *3900 | *3900 | 3500 |
| | Front Stabilizer – Rear Stabilizer – Stabilized | | | | *6950 | *6950 | *6950 | *7650 | *7650 | *7650 | *5600 | *5600 | 5350 | | | | | | *3900 | *3900 | *3900 |
| | Free on Wheels – Wide Axles | | | | *6950 | *6950 | *6950 | 6700 | 4800 | 4050 | 4400 | 3200 | 2750 | | | | | | 3500 | 2550 | 2200 |
| -3000 mm | Free on Wheels | | | | | | | *5850 | 4900 | 3700 | | | | | | | | | | | |
| | Front Empty – Rear Dozer – Stabilized | | | | | | | *5850 | *5850 | 4200 | | | | | | | | | | | |
| | Front Dozer – Rear Stabilizer – Stabilized | | | | | | | *5850 | *5850 | *5850 | | | | | | | | | | | |
| | Front Stabilizer – Rear Stabilizer – Stabilized | | | | | | | *5850 | *5850 | *5850 | | | | | | | | | | | |
| | Free on Wheels – Wide Axles | | | | | | | *5850 | 4900 | 4150 | | | | | | | | | | | |

*Limited by hydraulic rather than tipping load.

Oscillating axle needs to be locked. Weight of all lifting accessories must be subtracted from the lifting capacities. All lift capacities calculated and rated per ISO 10567:2007. Rated loads do not exceed 87% of hydraulic lift capacity or 75% of tipping load. Heavy Lift Function ON. Lifting capacities are based on the machine standing on a firm uniform supporting surface. The load point is the center line of the bucket pivot mounting pin on the stick. Lift capacity is calculated with VA cylinder completely extracted. The use of a work tool attachment point to handle/lift objects, could affect the machine lift performance.

Always refer to the appropriate Operation and Maintenance Manual for specific product information.

M319 Wheeled Excavator Specifications

Lift Capacities – Variable Adjustable Boom 8'2" Stick

All values are in lb, work tool: none, bucket cylinder and bucket linkage installed, counterweight: 11,030 lb, heavy lift function on.

| | | Load at maximum reach (sticknose/bucket pin) | | | Load over front | | | Load over rear | | | Load over side | | | Load point height | | | | | | |
|--------|---|--|--|--|-----------------|---------|---------|----------------|---------|---------|----------------|---------|--------|-------------------|--|--|---------|---------|---------|---------|
| | Undercarriage configuration | 10 ft | | | 15 ft | | | 20 ft | | | 25 ft | | | | | | | | | |
| | | | | | | | | | | | | | | | | | ft | | | |
| 30 ft | Free on Wheels | | | | | | | | | | | | | | | | *14,300 | *14,300 | *14,300 | |
| | Front Empty – Rear Dozer – Stabilized | | | | | | | | | | | | | | | | | *14,300 | *14,300 | *14,300 |
| | Front Dozer – Rear Stabilizer – Stabilized | | | | | | | | | | | | | | | | | *14,300 | *14,300 | *14,300 |
| | Front Stabilizer – Rear Stabilizer – Stabilized | | | | | | | | | | | | | | | | | *14,300 | *14,300 | *14,300 |
| | Free on Wheels – Wide Axles | | | | | | | | | | | | | | | | | *14,300 | *14,300 | *14,300 |
| 25 ft | Free on Wheels | | | | *11,100 | *11,100 | 10,300 | | | | | | | | | | | *8,100 | *8,100 | *8,100 |
| | Front Empty – Rear Dozer – Stabilized | | | | *11,100 | *11,100 | *11,100 | | | | | | | | | | | *8,100 | *8,100 | *8,100 |
| | Front Dozer – Rear Stabilizer – Stabilized | | | | *11,100 | *11,100 | *11,100 | | | | | | | | | | | *8,100 | *8,100 | *8,100 |
| | Front Stabilizer – Rear Stabilizer – Stabilized | | | | *11,100 | *11,100 | *11,100 | | | | | | | | | | | *8,100 | *8,100 | *8,100 |
| | Free on Wheels – Wide Axles | | | | *11,100 | *11,100 | *11,100 | | | | | | | | | | | *8,100 | *8,100 | *8,100 |
| 20 ft | Free on Wheels | | | | *11,300 | *11,300 | 10,400 | *10,200 | 8,100 | 6,400 | | | | | | | | *6,900 | *6,900 | 5,600 |
| | Front Empty – Rear Dozer – Stabilized | | | | *11,300 | *11,300 | *11,300 | *10,200 | *10,200 | 7,200 | | | | | | | | *6,900 | *6,900 | 6,200 |
| | Front Dozer – Rear Stabilizer – Stabilized | | | | *11,300 | *11,300 | *11,300 | *10,200 | *10,200 | *10,200 | | | | | | | | *6,900 | *6,900 | *6,900 |
| | Front Stabilizer – Rear Stabilizer – Stabilized | | | | *11,300 | *11,300 | *11,300 | *10,200 | *10,200 | *10,200 | | | | | | | | *6,900 | *6,900 | *6,900 |
| | Free on Wheels – Wide Axles | | | | *11,300 | *11,300 | *11,300 | *10,200 | 8,100 | 7,100 | | | | | | | | *6,900 | *6,900 | 6,200 |
| 15 ft | Free on Wheels | | | | *13,300 | 12,600 | 9,900 | 10,500 | 8,000 | 6,300 | | | | | | | | *6,500 | 5,700 | 4,500 |
| | Front Empty – Rear Dozer – Stabilized | | | | *13,300 | *13,300 | 11,000 | 10,500 | *10,600 | 7,000 | | | | | | | | *6,500 | *6,500 | 5,100 |
| | Front Dozer – Rear Stabilizer – Stabilized | | | | *13,300 | *13,300 | *13,300 | *10,600 | *10,600 | *10,600 | | | | | | | | *6,500 | *6,500 | *6,500 |
| | Front Stabilizer – Rear Stabilizer – Stabilized | | | | *13,300 | *13,300 | *13,300 | *10,600 | *10,600 | *10,600 | | | | | | | | *6,500 | *6,500 | *6,500 |
| | Free on Wheels – Wide Axles | | | | *13,300 | 12,600 | 10,900 | *10,600 | 8,000 | 6,900 | | | | | | | | *6,500 | 5,800 | 5,000 |
| 10 ft | Free on Wheels | | | | *15,400 | 11,700 | 9,100 | 10,200 | 7,600 | 6,000 | 7,200 | 5,300 | 4,200 | | | | | *6,400 | 5,100 | 4,000 |
| | Front Empty – Rear Dozer – Stabilized | | | | *15,400 | *15,400 | 10,200 | 10,100 | *11,200 | 6,700 | 7,200 | *9,000 | 4,700 | | | | | *6,400 | *6,400 | 4,500 |
| | Front Dozer – Rear Stabilizer – Stabilized | | | | *15,400 | *15,400 | *15,400 | *11,200 | *11,200 | 10,300 | *9,000 | *9,000 | 7,300 | | | | | *6,400 | *6,400 | *6,400 |
| | Front Stabilizer – Rear Stabilizer – Stabilized | | | | *15,400 | *15,400 | *15,400 | *11,200 | *11,200 | *11,200 | *9,000 | *9,000 | 8,700 | | | | | *6,400 | *6,400 | *6,400 |
| | Free on Wheels – Wide Axles | | | | *15,400 | 11,800 | 10,100 | 10,300 | 7,600 | 6,600 | 7,300 | 5,400 | 4,600 | | | | | *6,400 | 5,100 | 4,500 |
| 5 ft | Free on Wheels | | | | 15,000 | 10,900 | 8,300 | 9,800 | 7,200 | 5,600 | 7,100 | 5,200 | 4,000 | | | | | 6,700 | 4,900 | 3,800 |
| | Front Empty – Rear Dozer – Stabilized | | | | 14,900 | *18,400 | 9,400 | 9,800 | *12,200 | 6,300 | 7,000 | *9,400 | 4,600 | | | | | 6,700 | *6,700 | 4,300 |
| | Front Dozer – Rear Stabilizer – Stabilized | | | | *18,400 | *18,400 | 15,100 | *12,200 | *12,200 | 9,900 | *9,400 | *9,400 | 7,100 | | | | | *6,700 | *6,700 | *6,700 |
| | Front Stabilizer – Rear Stabilizer – Stabilized | | | | *18,400 | *18,400 | *18,400 | *12,200 | *12,200 | 11,900 | *9,400 | *9,400 | 8,600 | | | | | *6,700 | *6,700 | *6,700 |
| | Free on Wheels – Wide Axles | | | | 15,000 | 10,900 | 9,300 | 9,900 | 7,300 | 6,300 | 7,100 | 5,200 | 4,500 | | | | | *6,700 | 4,900 | 4,300 |
| 0 ft | Free on Wheels | | | | 14,500 | 10,500 | 7,900 | 9,500 | 7,000 | 5,400 | 7,000 | 5,100 | 4,000 | | | | | 6,900 | 5,000 | 3,900 |
| | Front Empty – Rear Dozer – Stabilized | | | | 14,400 | *18,500 | 9,000 | 9,500 | *13,300 | 6,100 | 6,900 | *9,100 | 4,500 | | | | | 6,800 | *7,300 | 4,400 |
| | Front Dozer – Rear Stabilizer – Stabilized | | | | *18,500 | *18,500 | 14,600 | *13,300 | *13,300 | 9,600 | *9,100 | *9,100 | 7,000 | | | | | *7,300 | *7,300 | 6,900 |
| | Front Stabilizer – Rear Stabilizer – Stabilized | | | | *18,500 | *18,500 | 18,100 | *13,300 | *13,300 | 11,700 | *9,100 | *9,100 | 8,500 | | | | | *7,300 | *7,300 | *7,300 |
| | Free on Wheels – Wide Axles | | | | 14,600 | 10,500 | 8,900 | 9,600 | 7,000 | 6,000 | 7,000 | 5,100 | 4,400 | | | | | 6,900 | 5,100 | 4,400 |
| -5 ft | Free on Wheels | | | | *15,900 | *15,900 | 14,200 | 14,400 | 10,400 | 7,800 | 9,400 | 6,900 | 5,300 | | | | | 7,600 | 5,600 | 4,300 |
| | Front Empty – Rear Dozer – Stabilized | | | | *15,900 | *15,900 | *15,900 | 14,300 | *16,600 | 8,900 | 9,400 | *12,100 | 6,000 | | | | | 7,600 | *8,600 | 4,900 |
| | Front Dozer – Rear Stabilizer – Stabilized | | | | *15,900 | *15,900 | *15,900 | *16,600 | *16,600 | 14,500 | *12,100 | *12,100 | 9,500 | | | | | *8,600 | *8,600 | 7,700 |
| | Front Stabilizer – Rear Stabilizer – Stabilized | | | | *15,900 | *15,900 | *15,900 | *16,600 | *16,600 | *16,600 | *12,100 | *12,100 | 11,600 | | | | | *8,600 | *8,600 | *8,600 |
| | Free on Wheels – Wide Axles | | | | *15,900 | *15,900 | *15,900 | 14,500 | 10,400 | 8,800 | 9,500 | 6,900 | 5,900 | | | | | 7,700 | 5,600 | 4,800 |
| -10 ft | Free on Wheels | | | | | | | *12,500 | 10,500 | 8,000 | | | | | | | | | | |
| | Front Empty – Rear Dozer – Stabilized | | | | | | | *12,500 | *12,500 | 9,100 | | | | | | | | | | |
| | Front Dozer – Rear Stabilizer – Stabilized | | | | | | | *12,500 | *12,500 | *12,500 | | | | | | | | | | |
| | Front Stabilizer – Rear Stabilizer – Stabilized | | | | | | | *12,500 | *12,500 | *12,500 | | | | | | | | | | |
| | Free on Wheels – Wide Axles | | | | | | | *12,500 | 10,600 | 8,900 | | | | | | | | | | |

*Limited by hydraulic rather than tipping load.

Oscillating axle needs to be locked. Weight of all lifting accessories must be subtracted from the lifting capacities. All lift capacities calculated and rated per ISO 10567:2007. Rated loads do not exceed 87% of hydraulic lift capacity or 75% of tipping load. Heavy Lift Function ON. Lifting capacities are based on the machine standing on a firm uniform supporting surface. The load point is the center line of the bucket pivot mounting pin on the stick. Lift capacity is calculated with VA cylinder completely extracted. The use of a work tool attachment point to handle/lift objects, could affect the machine lift performance.

Always refer to the appropriate Operation and Maintenance Manual for specific product information.

M319 Wheeled Excavator Specifications

Lift Capacities – Variable Adjustable Boom 2.9 m Stick

All values are in kg, work tool: none, bucket cylinder and bucket linkage installed, counterweight: 5000 kg, heavy lift function on.

| Stick height | Undercarriage configuration | Load at maximum reach (sticknose/bucket pin) | | | Load over front | | | Load over rear | | | Load over side | | | Load point height | | | mm | | | |
|--------------|---|--|---------|---------|-----------------|---------|---------|----------------|---------|---------|----------------|---------|---------|-------------------|---------|---------|----|-------|-------|-------|
| | | 3000 mm | 4500 mm | 6000 mm | 7500 mm | 3000 mm | 4500 mm | 6000 mm | 7500 mm | 3000 mm | 4500 mm | 6000 mm | 7500 mm | 3000 mm | 4500 mm | 6000 mm | | | | |
| 9000 mm | Free on Wheels | | | | | | | | | | | | | | | | | *4100 | *4100 | *4100 |
| | Front Empty – Rear Dozer – Stabilized | | | | | | | | | | | | | | | | | *4100 | *4100 | *4100 |
| | Front Dozer – Rear Stabilizer – Stabilized | | | | | | | | | | | | | | | | | *4100 | *4100 | *4100 |
| | Front Stabilizer – Rear Stabilizer – Stabilized | | | | | | | | | | | | | | | | | *4100 | *4100 | *4100 |
| | Free on Wheels – Wide Axles | | | | | | | | | | | | | | | | | *4100 | *4100 | *4100 |
| 7500 mm | Free on Wheels | | | | *4500 | *4500 | *4500 | | | | | | | | | | | *2950 | *2950 | *2950 |
| | Front Empty – Rear Dozer – Stabilized | | | | *4500 | *4500 | *4500 | | | | | | | | | | | *2950 | *2950 | *2950 |
| | Front Dozer – Rear Stabilizer – Stabilized | | | | *4500 | *4500 | *4500 | | | | | | | | | | | *2950 | *2950 | *2950 |
| | Front Stabilizer – Rear Stabilizer – Stabilized | | | | *4500 | *4500 | *4500 | | | | | | | | | | | *2950 | *2950 | *2950 |
| | Free on Wheels – Wide Axles | | | | *4500 | *4500 | *4500 | | | | | | | | | | | *2950 | *2950 | *2950 |
| 6000 mm | Free on Wheels | | | | *4250 | *4250 | *4250 | *4350 | 3850 | 3050 | | | | | | | | *2600 | *2600 | 2250 |
| | Front Empty – Rear Dozer – Stabilized | | | | *4250 | *4250 | *4250 | *4350 | *4350 | 3400 | | | | | | | | *2600 | *2600 | 2500 |
| | Front Dozer – Rear Stabilizer – Stabilized | | | | *4250 | *4250 | *4250 | *4350 | *4350 | *4350 | | | | | | | | *2600 | *2600 | *2600 |
| | Front Stabilizer – Rear Stabilizer – Stabilized | | | | *4250 | *4250 | *4250 | *4350 | *4350 | *4350 | | | | | | | | *2600 | *2600 | *2600 |
| | Free on Wheels – Wide Axles | | | | *4250 | *4250 | *4250 | *4350 | 3850 | 3350 | | | | | | | | *2600 | *2600 | 2450 |
| 4500 mm | Free on Wheels | | | | *4850 | *4850 | 4650 | *4700 | 3750 | 2950 | 3450 | 2550 | 2000 | | | | | *2450 | 2350 | 1850 |
| | Front Empty – Rear Dozer – Stabilized | | | | *4850 | *4850 | *4850 | *4700 | *4700 | 3300 | 3400 | *3650 | 2250 | | | | | *2450 | *2450 | 2100 |
| | Front Dozer – Rear Stabilizer – Stabilized | | | | *4850 | *4850 | *4850 | *4700 | *4700 | *4700 | *3650 | *3650 | 3450 | | | | | *2450 | *2450 | *2450 |
| | Front Stabilizer – Rear Stabilizer – Stabilized | | | | *4850 | *4850 | *4850 | *4700 | *4700 | *4700 | *3650 | *3650 | *3650 | | | | | *2450 | *2450 | *2450 |
| | Free on Wheels – Wide Axles | | | | *4850 | *4850 | *4850 | *4700 | 3750 | 3250 | 3450 | 2550 | 2250 | | | | | *2450 | 2400 | 2050 |
| 3000 mm | Free on Wheels | | | | *6800 | 5550 | 4300 | 4750 | 3550 | 2800 | 3350 | 2500 | 1950 | | | | | *2450 | 2150 | 1650 |
| | Front Empty – Rear Dozer – Stabilized | | | | *6800 | *6800 | 4800 | 4750 | *5000 | 3150 | 3350 | *4000 | 2200 | | | | | *2450 | *2450 | 1900 |
| | Front Dozer – Rear Stabilizer – Stabilized | | | | *6800 | *6800 | *6800 | *5000 | *5000 | 4800 | *4000 | *4000 | 3400 | | | | | *2450 | *2450 | *2450 |
| | Front Stabilizer – Rear Stabilizer – Stabilized | | | | *6800 | *6800 | *6800 | *5000 | *5000 | *5000 | *4000 | *4000 | *4000 | | | | | *2450 | *2450 | *2450 |
| | Free on Wheels – Wide Axles | | | | *6800 | 5550 | 4750 | 4800 | 3550 | 3100 | 3400 | 2500 | 2200 | | | | | *2450 | 2150 | 1850 |
| 1500 mm | Free on Wheels | | | | 7000 | 5100 | 3900 | 4550 | 3350 | 2600 | 3300 | 2400 | 1900 | | | | | *2550 | 2050 | 1600 |
| | Front Empty – Rear Dozer – Stabilized | | | | 6950 | *8100 | 4400 | 4550 | *5450 | 2950 | 3250 | *4200 | 2100 | | | | | *2550 | *2550 | 1800 |
| | Front Dozer – Rear Stabilizer – Stabilized | | | | *8100 | *8100 | 7100 | *5450 | *5450 | 4600 | *4200 | *4200 | 3300 | | | | | *2550 | *2550 | *2550 |
| | Front Stabilizer – Rear Stabilizer – Stabilized | | | | *8100 | *8100 | *8100 | *5450 | *5450 | *5450 | *4200 | *4200 | 4000 | | | | | *2550 | *2550 | *2550 |
| | Free on Wheels – Wide Axles | | | | 7050 | 5100 | 4350 | 4600 | 3400 | 2900 | 3300 | 2400 | 2100 | | | | | *2550 | 2050 | 1800 |
| 0 mm | Free on Wheels | | | | 6750 | 4850 | 3650 | 4400 | 3250 | 2500 | 3200 | 2350 | 1800 | | | | | *2750 | 2100 | 1600 |
| | Front Empty – Rear Dozer – Stabilized | | | | 6700 | *8550 | 4150 | 4400 | *6000 | 2800 | 3200 | *4450 | 2050 | | | | | *2750 | *2750 | 1850 |
| | Front Dozer – Rear Stabilizer – Stabilized | | | | *8550 | *8550 | 6800 | *6000 | *6000 | 4450 | *4450 | *4450 | 3250 | | | | | *2750 | *2750 | *2750 |
| | Front Stabilizer – Rear Stabilizer – Stabilized | | | | *8550 | *8550 | 8400 | *6000 | *6000 | 5400 | *4450 | *4450 | 3900 | | | | | *2750 | *2750 | *2750 |
| | Free on Wheels – Wide Axles | | | | 6750 | 4850 | 4100 | 4450 | 3250 | 2750 | 3250 | 2350 | 2050 | | | | | *2750 | 2100 | 1800 |
| -1500 mm | Free on Wheels | | | | *6500 | *6500 | *6500 | 6650 | 4750 | 3600 | 4350 | 3150 | 2400 | | | | | 3150 | 2300 | 1800 |
| | Front Empty – Rear Dozer – Stabilized | | | | *6500 | *6500 | *6500 | 6600 | *7950 | 4100 | 4300 | *5800 | 2750 | | | | | *3150 | *3150 | 2000 |
| | Front Dozer – Rear Stabilizer – Stabilized | | | | *6500 | *6500 | *6500 | *7950 | *7950 | 6700 | *5800 | *5800 | 4400 | | | | | *3150 | *3150 | *3150 |
| | Front Stabilizer – Rear Stabilizer – Stabilized | | | | *6500 | *6500 | *6500 | *7950 | *7950 | *7950 | *5800 | *5800 | 5350 | | | | | *3150 | *3150 | *3150 |
| | Free on Wheels – Wide Axles | | | | *6500 | *6500 | *6500 | 6700 | 4800 | 4050 | 4350 | 3150 | 2700 | | | | | *3150 | 2300 | 2000 |
| -3000 mm | Free on Wheels | | | | *6400 | 4800 | 3600 | 4400 | 3200 | 2450 | | | | | | | | | | |
| | Front Empty – Rear Dozer – Stabilized | | | | *6400 | *6400 | 4150 | 4350 | *4550 | 2800 | | | | | | | | | | |
| | Front Dozer – Rear Stabilizer – Stabilized | | | | *6400 | *6400 | *6400 | *4550 | *4550 | 4450 | | | | | | | | | | |
| | Front Stabilizer – Rear Stabilizer – Stabilized | | | | *6400 | *6400 | *6400 | *4550 | *4550 | *4550 | | | | | | | | | | |
| | Free on Wheels – Wide Axles | | | | *6400 | 4850 | 4050 | 4400 | 3200 | 2750 | | | | | | | | | | |

*Limited by hydraulic rather than tipping load.

Oscillating axle needs to be locked. Weight of all lifting accessories must be subtracted from the lifting capacities. All lift capacities calculated and rated per ISO 10567:2007. Rated loads do not exceed 87% of hydraulic lift capacity or 75% of tipping load. Heavy Lift Function ON. Lifting capacities are based on the machine standing on a firm uniform supporting surface. The load point is the center line of the bucket pivot mounting pin on the stick. Lift capacity is calculated with VA cylinder completely extracted. The use of a work tool attachment point to handle/lift objects, could affect the machine lift performance.

Always refer to the appropriate Operation and Maintenance Manual for specific product information.

M319 Wheeled Excavator Specifications

Lift Capacities – Variable Adjustable Boom 9'6" Stick

All values are in lb, work tool: none, bucket cylinder and bucket linkage installed, counterweight: 11,030 lb, heavy lift function on.

| Stick Diagram | Undercarriage configuration | Load at maximum reach (sticknose/bucket pin) | | | Load over front | | | Load over rear | | | Load over side | | | Load point height | | | ft | | | | |
|------------------|---|--|---------|---------|-----------------|---------|---------|----------------|---------|---------|----------------|---------|---------|-------------------|---------|--|----|--------|---------|---------|---------|
| | | Diagram | Diagram | Diagram | Diagram | Diagram | Diagram | Diagram | Diagram | Diagram | Diagram | Diagram | Diagram | Diagram | Diagram | | | | | | |
| 30 ft | Free on Wheels | | | | | | | | | | | | | | | | | *9,600 | *9,600 | *9,600 | |
| | Front Empty – Rear Dozer – Stabilized | | | | | | | | | | | | | | | | | | *9,600 | *9,600 | *9,600 |
| | Front Dozer – Rear Stabilizer – Stabilized | | | | | | | | | | | | | | | | | | *9,600 | *9,600 | *9,600 |
| | Front Stabilizer – Rear Stabilizer – Stabilized | | | | | | | | | | | | | | | | | | *9,600 | *9,600 | *9,600 |
| | Free on Wheels – Wide Axles | | | | | | | | | | | | | | | | | | *9,600 | *9,600 | *9,600 |
| 25 ft | Free on Wheels | | | | | | | | | | | | | | | | | | *9,900 | *9,900 | *9,900 |
| | Front Empty – Rear Dozer – Stabilized | | | | | | | | | | | | | | | | | | *9,900 | *9,900 | *9,900 |
| | Front Dozer – Rear Stabilizer – Stabilized | | | | | | | | | | | | | | | | | | *9,900 | *9,900 | *9,900 |
| | Front Stabilizer – Rear Stabilizer – Stabilized | | | | | | | | | | | | | | | | | | *9,900 | *9,900 | *9,900 |
| | Free on Wheels – Wide Axles | | | | | | | | | | | | | | | | | | *9,900 | *9,900 | *9,900 |
| 20 ft | Free on Wheels | | | | | | | | | | | | | | | | | | *9,400 | *9,400 | *9,400 |
| | Front Empty – Rear Dozer – Stabilized | | | | | | | | | | | | | | | | | | *9,400 | *9,400 | *9,400 |
| | Front Dozer – Rear Stabilizer – Stabilized | | | | | | | | | | | | | | | | | | *9,400 | *9,400 | *9,400 |
| | Front Stabilizer – Rear Stabilizer – Stabilized | | | | | | | | | | | | | | | | | | *9,400 | *9,400 | *9,400 |
| | Free on Wheels – Wide Axles | | | | | | | | | | | | | | | | | | *9,400 | *9,400 | *9,400 |
| 15 ft | Free on Wheels | | | | | | | | | | | | | | | | | | *10,500 | *10,500 | *10,500 |
| | Front Empty – Rear Dozer – Stabilized | | | | | | | | | | | | | | | | | | *10,500 | *10,500 | *10,500 |
| | Front Dozer – Rear Stabilizer – Stabilized | | | | | | | | | | | | | | | | | | *10,500 | *10,500 | *10,500 |
| | Front Stabilizer – Rear Stabilizer – Stabilized | | | | | | | | | | | | | | | | | | *10,500 | *10,500 | *10,500 |
| | Free on Wheels – Wide Axles | | | | | | | | | | | | | | | | | | *10,500 | *10,500 | *10,500 |
| 10 ft | Free on Wheels | | | | | | | | | | | | | | | | | | *14,700 | 11,900 | 9,200 |
| | Front Empty – Rear Dozer – Stabilized | | | | | | | | | | | | | | | | | | *14,700 | 14,700 | 10,400 |
| | Front Dozer – Rear Stabilizer – Stabilized | | | | | | | | | | | | | | | | | | *14,700 | 14,700 | 14,700 |
| | Front Stabilizer – Rear Stabilizer – Stabilized | | | | | | | | | | | | | | | | | | *14,700 | 14,700 | *14,700 |
| | Free on Wheels – Wide Axles | | | | | | | | | | | | | | | | | | *14,700 | 12,000 | 10,300 |
| 5 ft | Free on Wheels | | | | | | | | | | | | | | | | | | 15,100 | 11,000 | 8,400 |
| | Front Empty – Rear Dozer – Stabilized | | | | | | | | | | | | | | | | | | 15,000 | *17,400 | 9,500 |
| | Front Dozer – Rear Stabilizer – Stabilized | | | | | | | | | | | | | | | | | | *17,400 | *17,400 | 15,200 |
| | Front Stabilizer – Rear Stabilizer – Stabilized | | | | | | | | | | | | | | | | | | *17,400 | *17,400 | *17,400 |
| | Free on Wheels – Wide Axles | | | | | | | | | | | | | | | | | | 15,200 | 11,000 | 9,400 |
| 0 ft | Free on Wheels | | | | | | | | | | | | | | | | | | 14,500 | 10,500 | 7,900 |
| | Front Empty – Rear Dozer – Stabilized | | | | | | | | | | | | | | | | | | 14,400 | *18,600 | 9,000 |
| | Front Dozer – Rear Stabilizer – Stabilized | | | | | | | | | | | | | | | | | | *18,600 | *18,600 | 14,600 |
| | Front Stabilizer – Rear Stabilizer – Stabilized | | | | | | | | | | | | | | | | | | *18,600 | *18,600 | 18,100 |
| | Free on Wheels – Wide Axles | | | | | | | | | | | | | | | | | | 14,600 | 10,500 | 8,900 |
| -5 ft | Free on Wheels | | | | | | | | | | | | | | | | | | *14,800 | *14,800 | 14,000 |
| | Front Empty – Rear Dozer – Stabilized | | | | | | | | | | | | | | | | | | *14,800 | *14,800 | *14,800 |
| | Front Dozer – Rear Stabilizer – Stabilized | | | | | | | | | | | | | | | | | | *14,800 | *14,800 | *14,800 |
| | Front Stabilizer – Rear Stabilizer – Stabilized | | | | | | | | | | | | | | | | | | *14,800 | *14,800 | *14,800 |
| | Free on Wheels – Wide Axles | | | | | | | | | | | | | | | | | | *14,800 | *14,800 | *14,800 |
| -10 ft | Free on Wheels | | | | | | | | | | | | | | | | | | *13,800 | 10,400 | 7,800 |
| | Front Empty – Rear Dozer – Stabilized | | | | | | | | | | | | | | | | | | *13,800 | *13,800 | 8,900 |
| | Front Dozer – Rear Stabilizer – Stabilized | | | | | | | | | | | | | | | | | | *13,800 | *13,800 | *13,800 |
| | Front Stabilizer – Rear Stabilizer – Stabilized | | | | | | | | | | | | | | | | | | *13,800 | *13,800 | *13,800 |
| | Free on Wheels – Wide Axles | | | | | | | | | | | | | | | | | | *13,800 | 10,400 | 8,800 |

*Limited by hydraulic rather than tipping load.

Oscillating axle needs to be locked. Weight of all lifting accessories must be subtracted from the lifting capacities. All lift capacities calculated and rated per ISO 10567:2007. Rated loads do not exceed 87% of hydraulic lift capacity or 75% of tipping load. Heavy Lift Function ON. Lifting capacities are based on the machine standing on a firm uniform supporting surface. The load point is the center line of the bucket pivot mounting pin on the stick. Lift capacity is calculated with VA cylinder completely extracted. The use of a work tool attachment point to handle/lift objects, could affect the machine lift performance.

Always refer to the appropriate Operation and Maintenance Manual for specific product information.

M319 Wheeled Excavator Specifications

Bucket Specifications and Compatibility – Europe

Contact your Cat dealer for special bucket requirements. Configurations calculated with wide axle width 2.5 m (8'2").

| | Linkage | Width | | Capacity | | Weight | | Fill | Free on wheels | Only dozer (blade) lowered | Dozer (blade) and two stabilizers (outrigger) lowered | Four stabilizers (outrigger) lowered | Free on wheels | Only dozer (blade) lowered | Dozer (blade) and two stabilizers (outrigger) lowered | Four stabilizers (outrigger) lowered | Free on wheels | Only dozer (blade) lowered | Dozer (blade) and two stabilizers (outrigger) lowered | Four stabilizers (outrigger) lowered | |
|--|---------|-------|----|----------------|-----------------|--------|-------|------|---------------------------------|----------------------------|---|--------------------------------------|----------------|----------------------------|---|--------------------------------------|----------------|----------------------------|---|--------------------------------------|-------|
| | | mm | in | m ³ | yd ³ | kg | lb | | | | | | | | | | | | | | % |
| | | | | | | | | | Variable Adjustable Boom | | | | | | | | | | | | |
| | | | | | | | | | 2.2 m (7'3") | | | 2.5 m (8'2") | | | 2.9 m (9'6") | | | | | | |
| Pin-On (No Quick Coupler) | | | | | | | | | ◇ | ○ | ● | ● | ◇ | ○ | ● | ● | X | ◇ | ● | ● | |
| General Duty | 316 | 1300 | 51 | 1.00 | 1.31 | 695 | 1,532 | 100 | ◇ | ○ | ● | ● | ◇ | ○ | ● | ● | X | ◇ | ● | ● | |
| | 316 | 600 | 24 | 0.35 | 0.46 | 440 | 969 | 100 | ● | ● | ● | ● | ● | ● | ● | ● | ● | ● | ● | ● | |
| | 316 | 900 | 36 | 0.62 | 0.81 | 546 | 1,203 | 100 | ● | ○ | ● | ● | ⊙ | ● | ● | ● | ⊖ | ● | ● | ● | |
| | 316 | 1200 | 48 | 0.91 | 1.19 | 658 | 1,450 | 100 | ○ | ○ | ● | ● | ○ | ○ | ● | ● | ◇ | ○ | ● | ● | |
| Ditch Cleaning | 316 | 2000 | 78 | 0.94 | 1.23 | 723 | 1,594 | 100 | ○ | ⊖ | ● | ● | ◇ | ○ | ● | ● | ◇ | ◇ | ● | ● | |
| Ditch Cleaning Tilt | 316 | 2000 | 79 | 0.86 | 1.12 | 1028 | 2,266 | 100 | ◇ | ○ | ● | ● | X | ◇ | ● | ● | X | ◇ | ● | ● | |
| Maximum load with pin-on (payload + bucket) | | | | | | | | | kg | 1800 | 2070 | 3390 | 4129 | 1706 | 1964 | 3226 | 3929 | 1548 | 1790 | 2968 | 3621 |
| | | | | | | | | | lb | 3,968 | 4,563 | 7,475 | 9,103 | 3,761 | 4,330 | 7,112 | 8,661 | 3,413 | 3,946 | 6,544 | 7,984 |
| | | | | | | | | | Variable Adjustable Boom | | | | | | | | | | | | |
| With Pin Grabber Coupler | | | | | | | | | 2.2 m (7'3") | | | 2.5 m (8'2") | | | 2.9 m (9'6") | | | | | | |
| General Duty | 316 | 1300 | 51 | 1.00 | 1.31 | 695 | 1,532 | 100 | X | ◇ | ● | ● | X | ◇ | ● | ● | X | X | ⊙ | ● | |
| | 316 | 1100 | 43 | 0.80 | 1.04 | 632 | 1,392 | 100 | ◇ | ○ | ● | ● | ◇ | ○ | ● | ● | X | ◇ | ● | ● | |
| | 316 | 600 | 24 | 0.35 | 0.46 | 440 | 969 | 100 | ● | ● | ● | ● | ● | ● | ● | ● | ● | ● | ● | ● | |
| | 316 | 900 | 36 | 0.62 | 0.81 | 546 | 1,203 | 100 | ⊖ | ⊙ | ● | ● | ○ | ⊙ | ● | ● | ◇ | ⊖ | ● | ● | |
| | 316 | 1200 | 48 | 0.91 | 1.19 | 658 | 1,450 | 100 | ◇ | ○ | ● | ● | X | ◇ | ● | ● | X | ◇ | ● | ● | |
| Ditch Cleaning | 316 | 2000 | 78 | 0.94 | 1.23 | 723 | 1,594 | 100 | X | ◇ | ● | ● | X | ◇ | ● | ● | X | X | ● | ● | |
| Ditch Cleaning Tilt | 316 | 2000 | 79 | 0.86 | 1.12 | 1028 | 2,266 | 100 | X | X | ● | ● | X | X | ● | ● | X | X | ⊙ | ● | |
| Maximum load with coupler (payload + bucket) | | | | | | | | | kg | 1469 | 1739 | 3060 | 3798 | 1375 | 1633 | 2895 | 3598 | 1217 | 1459 | 2638 | 3290 |
| | | | | | | | | | lb | 3,239 | 3,834 | 6,745 | 8,373 | 3,032 | 3,601 | 6,382 | 7,932 | 2,684 | 3,217 | 5,815 | 7,254 |

Maximum Material Density:

- 2100 kg/m³ (3,500 lb/yd³)
- ⊙ 1800 kg/m³ (3,000 lb/yd³)
- ⊖ 1500 kg/m³ (2,500 lb/yd³)
- 1200 kg/m³ (2,000 lb/yd³)
- ◇ 900 kg/m³ (1,500 lb/yd³)
- X Not Recommended

The above loads are in compliance with hydraulic excavator standard EN474-5:2006+A3:2013, they do not exceed 87% of hydraulic lifting capacity or 75% of tipping capacity with front linkage fully extended at ground line with bucket curled. Capacity based on ISO 7451.

Caterpillar recommends using appropriate work tools to maximize the value customers receive from our products. Use of work tools, including buckets, which are outside of Caterpillar's recommendations or specifications for weight, dimensions, flows, pressures, etc. may result in less-than-optimal performance, including but not limited to reductions in production, stability, reliability, and component durability. Improper use of a work tool resulting in sweeping, prying, twisting and/or catching of heavy loads will reduce the life of the boom and stick.

(continued on next page)

M319 Wheeled Excavator Specifications

Bucket Specifications and Compatibility – Europe (continued)

Contact your Cat dealer for special bucket requirements. Configurations calculated with wide axle width 2.5 m (8'2").

| | Linkage | Width | | Capacity | | Weight | | Fill | Free on wheels | Only dozer (blade) lowered | Dozer (blade) and two stabilizers (outrigger) lowered | Four stabilizers (outrigger) lowered | Free on wheels | Only dozer (blade) lowered | Dozer (blade) and two stabilizers (outrigger) lowered | Four stabilizers (outrigger) lowered | Free on wheels | Only dozer (blade) lowered | Dozer (blade) and two stabilizers (outrigger) lowered | Four stabilizers (outrigger) lowered | |
|--|---------|-------|------|----------------|-----------------|--------|-------|------|---------------------------------|----------------------------|---|--------------------------------------|---------------------|----------------------------|---|--------------------------------------|---------------------|----------------------------|---|--------------------------------------|-------|
| | | mm | in | m ³ | yd ³ | kg | lb | | | | | | | | | | | | | | % |
| | | | | | | | | | Variable Adjustable Boom | | | | | | | | | | | | |
| | | | | | | | | | 2.2 m (7'3") | | | | 2.5 m (8'2") | | | | 2.9 m (9'6") | | | | |
| With CW-30 Coupler | | | | | | | | | | | | | | | | | | | | | |
| General Duty | 316 | 600 | 24 | 0.35 | 0.46 | 439 | 967 | 100 | ● | ● | ● | ● | ● | ● | ● | ● | ● | ● | ● | ● | ● |
| | 316 | 750 | 30 | 0.49 | 0.64 | 475 | 1,047 | 100 | ● | ● | ● | ● | ● | ● | ● | ● | ● | ● | ● | ● | ● |
| | 316 | 900 | 36 | 0.62 | 0.81 | 534 | 1,177 | 100 | ⊖ | ⊖ | ● | ● | ⊖ | ⊖ | ● | ● | ⊖ | ⊖ | ● | ● | ● |
| | 316 | 1100 | 43 | 0.80 | 1.04 | 593 | 1,307 | 100 | ○ | ○ | ● | ● | ◇ | ○ | ● | ● | ◇ | ○ | ● | ● | ● |
| | 316 | 1200 | 48 | 0.90 | 1.18 | 646 | 1,423 | 100 | ◇ | ○ | ● | ● | ◇ | ○ | ● | ● | X | ◇ | ○ | ● | ● |
| | 316 | 1300 | 51 | 1.00 | 1.31 | 677 | 1,492 | 100 | ◇ | ○ | ● | ● | X | ◇ | ● | ● | X | ◇ | ○ | ● | ● |
| Heavy Duty | 316 | 1300 | 51 | 1.00 | 1.31 | 694 | 1,529 | 100 | ◇ | ○ | ● | ● | X | ◇ | ● | ● | X | ◇ | ○ | ● | ● |
| General Duty – Leveling Edge | 316 | 996 | 39.2 | 0.70 | 0.93 | 586 | 1,291 | 100 | ⊖ | ⊖ | ● | ● | ○ | ⊖ | ● | ● | ◇ | ○ | ● | ● | ● |
| | 316 | 1200 | 47 | 0.91 | 1.19 | 672 | 1,481 | 100 | ◇ | ○ | ● | ● | ◇ | ○ | ● | ● | X | ◇ | ○ | ● | ● |
| | 316 | 690 | 27 | 0.47 | 0.61 | 476 | 1,049 | 100 | ● | ● | ● | ● | ● | ● | ● | ● | ⊖ | ● | ● | ● | ● |
| | 316 | 790 | 31 | 0.56 | 0.73 | 509 | 1,122 | 100 | ⊖ | ● | ● | ● | ⊖ | ● | ● | ● | ⊖ | ⊖ | ● | ● | ● |
| Ditch Cleaning Tilt | 316 | 1800 | 72 | 0.78 | 1.02 | 1048 | 2,310 | 100 | X | ◇ | ● | ● | X | ◇ | ● | ● | X | X | ● | ● | ● |
| | 316 | 2000 | 79 | 0.86 | 1.13 | 1111 | 2,449 | 100 | X | ◇ | ● | ● | X | X | ● | ● | X | X | ● | ● | ● |
| Maximum load with coupler (payload + bucket) | | | | | | | | | kg | 1588 | 1858 | 3178 | 3917 | 1494 | 1752 | 3014 | 3717 | 1336 | 1578 | 2756 | 3409 |
| | | | | | | | | | lb | 3,501 | 4,096 | 7,007 | 8,635 | 3,294 | 3,863 | 6,644 | 8,194 | 2,946 | 3,479 | 6,077 | 7,516 |

| | Linkage | Width | | Capacity | | Weight | | Fill | Free on wheels | Only dozer (blade) lowered | Dozer (blade) and two stabilizers (outrigger) lowered | Four stabilizers (outrigger) lowered | Free on wheels | Only dozer (blade) lowered | Dozer (blade) and two stabilizers (outrigger) lowered | Four stabilizers (outrigger) lowered | Free on wheels | Only dozer (blade) lowered | Dozer (blade) and two stabilizers (outrigger) lowered | Four stabilizers (outrigger) lowered | |
|--|---------|-------|----|----------------|-----------------|--------|-------|------|---------------------------------|----------------------------|---|--------------------------------------|---------------------|----------------------------|---|--------------------------------------|---------------------|----------------------------|---|--------------------------------------|-------|
| | | mm | in | m ³ | yd ³ | kg | lb | | | | | | | | | | | | | | % |
| | | | | | | | | | Variable Adjustable Boom | | | | | | | | | | | | |
| | | | | | | | | | 2.2 m (7'3") | | | | 2.5 m (8'2") | | | | 2.9 m (9'6") | | | | |
| With CW-30S Coupler | | | | | | | | | | | | | | | | | | | | | |
| General Duty | 316 | 600 | 24 | 0.35 | 0.46 | 423 | 932 | 100 | ● | ● | ● | ● | ● | ● | ● | ● | ● | ● | ● | ● | ● |
| | 316 | 750 | 30 | 0.49 | 0.64 | 471 | 1,038 | 100 | ● | ● | ● | ● | ● | ● | ● | ● | ● | ● | ● | ● | ● |
| | 316 | 900 | 36 | 0.62 | 0.81 | 534 | 1,177 | 100 | ⊖ | ● | ● | ● | ⊖ | ⊖ | ● | ● | ○ | ⊖ | ● | ● | ● |
| | 316 | 1100 | 43 | 0.80 | 1.04 | 593 | 1,307 | 100 | ○ | ○ | ● | ● | ◇ | ○ | ● | ● | ◇ | ○ | ● | ● | ● |
| | 316 | 1200 | 48 | 0.91 | 1.18 | 646 | 1,423 | 100 | ◇ | ○ | ● | ● | ◇ | ○ | ● | ● | X | ◇ | ○ | ● | ● |
| | 316 | 1300 | 51 | 1.00 | 1.31 | 677 | 1,492 | 100 | ◇ | ○ | ● | ● | X | ◇ | ● | ● | X | ◇ | ○ | ● | ● |
| Heavy Duty | 316 | 1200 | 48 | 0.91 | 1.18 | 663 | 1,461 | 100 | ◇ | ○ | ● | ● | ◇ | ○ | ● | ● | X | ◇ | ○ | ● | ● |
| | 316 | 1300 | 51 | 1.00 | 1.31 | 695 | 1,531 | 100 | ◇ | ○ | ● | ● | X | ◇ | ● | ● | X | ◇ | ○ | ● | ● |
| Ditch Cleaning Tilt | 316 | 2000 | 79 | 0.86 | 1.13 | 1092 | 2,407 | 101 | X | ◇ | ● | ● | X | X | ● | ● | X | X | ● | ● | ● |
| Maximum load with coupler (payload + bucket) | | | | | | | | | kg | 1596 | 1866 | 3186 | 3925 | 1502 | 1760 | 3022 | 3725 | 1344 | 1586 | 2764 | 3417 |
| | | | | | | | | | lb | 3,519 | 4,114 | 7,025 | 8,653 | 3,311 | 3,881 | 6,662 | 8,211 | 2,963 | 3,497 | 6,095 | 7,534 |

Maximum Material Density:

- 2100 kg/m³ (3,500 lb/yd³)
- ⊖ 1800 kg/m³ (3,000 lb/yd³)
- 1500 kg/m³ (2,500 lb/yd³)
- ◇ 900 kg/m³ (1,500 lb/yd³)
- X Not Recommended

The above loads are in compliance with hydraulic excavator standard EN474-5:2006+A3:2013, they do not exceed 87% of hydraulic lifting capacity or 75% of tipping capacity with front linkage fully extended at ground line with bucket curled.

Capacity based on ISO 7451.

Caterpillar recommends using appropriate work tools to maximize the value customers receive from our products. Use of work tools, including buckets, which are outside of Caterpillar's recommendations or specifications for weight, dimensions, flows, pressures, etc. may result in less-than-optimal performance, including but not limited to reductions in production, stability, reliability, and component durability. Improper use of a work tool resulting in sweeping, prying, twisting and/or catching of heavy loads will reduce the life of the boom and stick.

(continued on next page)

M319 Wheeled Excavator Specifications

Bucket Specifications and Compatibility – Europe (continued)

Contact your Cat dealer for special bucket requirements. Configurations calculated with wide axle width 2.5 m (8'2").

| Linkage | Width | | Capacity | | Weight | | Fill | Free on wheels | Only dozer (blade) lowered | Dozer (blade) and two stabilizers (outrigger) lowered | Four stabilizers (outrigger) lowered | Free on wheels | Only dozer (blade) lowered | Dozer (blade) and two stabilizers (outrigger) lowered | Four stabilizers (outrigger) lowered | Free on wheels | Only dozer (blade) lowered | Dozer (blade) and two stabilizers (outrigger) lowered | Four stabilizers (outrigger) lowered | |
|---|-------|------|----------------|-----------------|--------|-----|-------|----------------|---------------------------------|---|--------------------------------------|----------------|----------------------------|---|--------------------------------------|----------------|----------------------------|---|--------------------------------------|-------|
| | mm | in | m ³ | yd ³ | kg | lb | | | | | | | | | | | | | | % |
| No Machine Coupler, TRS14 CW30 | | | | | | | | | Variable Adjustable Boom | | | | | | | | | | | |
| | | | | | | | | | 2.2 m (7'3") | | | | 2.5 m (8'2") | | | | 2.9 m (9'6") | | | |
| Grading – General Duty | 316 | 1700 | 67 | 0.65 | 0.85 | 634 | 1,397 | 100 | X | ◇ | ● | ● | X | ◇ | ● | ● | X | X | ● | ● |
| Trenching – General Duty | 316 | 660 | 26 | 0.45 | 0.59 | 395 | 871 | 100 | ⊖ | ● | ● | ● | ○ | ⊙ | ● | ● | ◇ | ⊖ | ● | ● |
| Maximum load with pin-on (payload + bucket) | | | | | | | | kg | 1078 | 1348 | 2668 | 3407 | 984 | 1242 | 2504 | 3207 | 826 | 1068 | 2246 | 2899 |
| | | | | | | | | lb | 2,377 | 2,972 | 5,883 | 7,511 | 2,169 | 2,739 | 5,520 | 7,069 | 1,821 | 2,355 | 4,953 | 6,392 |
| No Machine Coupler, TRS14 CW30S | | | | | | | | | Variable Adjustable Boom | | | | | | | | | | | |
| | | | | | | | | | 2.2 m (7'3") | | | | 2.5 m (8'2") | | | | 2.9 m (9'6") | | | |
| Grading – General Duty | 316 | 1600 | 63 | 0.75 | 0.98 | 595 | 1,311 | 100 | X | ◇ | ● | ● | X | ◇ | ● | ● | X | X | ● | ● |
| Maximum load with pin-on (payload + bucket) | | | | | | | | kg | 1124 | 1394 | 2714 | 3453 | 1030 | 1288 | 2550 | 3253 | 872 | 1114 | 2292 | 2945 |
| | | | | | | | | lb | 2,478 | 3,073 | 5,984 | 7,612 | 2,271 | 2,840 | 5,621 | 7,171 | 1,923 | 2,456 | 5,054 | 6,493 |
| No Machine Coupler, TRS14 S60 | | | | | | | | | Variable Adjustable Boom | | | | | | | | | | | |
| | | | | | | | | | 2.2 m (7'3") | | | | 2.5 m (8'2") | | | | 2.9 m (9'6") | | | |
| Grading – General Duty | 316 | 1500 | 59 | 0.52 | 0.68 | 511 | 1,127 | 100 | ○ | ⊙ | ● | ● | ○ | ⊖ | ● | ● | ◇ | ○ | ● | ● |
| | 316 | 1500 | 59 | 0.65 | 0.85 | 535 | 1,179 | 100 | ◇ | ⊖ | ● | ● | ◇ | ○ | ● | ● | X | ◇ | ● | ● |
| | 316 | 1600 | 63 | 0.75 | 0.98 | 576 | 1,270 | 100 | ◇ | ○ | ● | ● | X | ◇ | ● | ● | X | X | ● | ● |
| Trenching – General Duty | 316 | 540 | 21 | 0.33 | 0.43 | 320 | 706 | 100 | ● | ● | ● | ● | ● | ● | ● | ● | ⊙ | ● | ● | ● |
| | | | | | | | | kg | 1225 | 1495 | 2815 | 3554 | 1131 | 1389 | 2651 | 3354 | 973 | 1215 | 2393 | 3046 |
| Maximum load with pin-on (payload + bucket) | | | | | | | | lb | 2,701 | 3,296 | 6,207 | 7,835 | 2,493 | 3,063 | 5,844 | 7,393 | 2,145 | 2,679 | 5,277 | 6,716 |
| CW30, TRS14 CW30 | | | | | | | | | Variable Adjustable Boom | | | | | | | | | | | |
| | | | | | | | | | 2.2 m (7'3") | | | | 2.5 m (8'2") | | | | 2.9 m (9'6") | | | |
| Grading – General Duty | 316 | 1700 | 67 | 0.65 | 0.85 | 634 | 1,397 | 100 | X | X | ● | ● | X | X | ● | ● | X | X | ● | ● |
| Trenching – General Duty | 316 | 660 | 26 | 0.45 | 0.59 | 395 | 871 | 100 | ◇ | ⊖ | ● | ● | X | ○ | ● | ● | X | ◇ | ● | ● |
| Maximum load with pin-on (payload + bucket) | | | | | | | | kg | 852 | 1122 | 2442 | 3181 | 758 | 1016 | 2278 | 2981 | 600 | 842 | 2020 | 2673 |
| | | | | | | | | lb | 1,878 | 2,473 | 5,385 | 7,013 | 1,671 | 2,240 | 5,022 | 6,571 | 1,323 | 1,856 | 4,454 | 5,894 |

Maximum Material Density:

- 2100 kg/m³ (3,500 lb/yd³)
- ⊙ 1800 kg/m³ (3,000 lb/yd³)
- ⊖ 1500 kg/m³ (2,500 lb/yd³)
- 1200 kg/m³ (2,000 lb/yd³)
- ◇ 900 kg/m³ (1,500 lb/yd³)
- X Not Recommended

The above loads are in compliance with hydraulic excavator standard EN474-5:2006+A3:2013, they do not exceed 87% of hydraulic lifting capacity or 75% of tipping capacity with front linkage fully extended at ground line with bucket curled. Capacity based on ISO 7451.

Caterpillar recommends using appropriate work tools to maximize the value customers receive from our products. Use of work tools, including buckets, which are outside of Caterpillar's recommendations or specifications for weight, dimensions, flows, pressures, etc. may result in less-than-optimal performance, including but not limited to reductions in production, stability, reliability, and component durability. Improper use of a work tool resulting in sweeping, prying, twisting and/or catching of heavy loads will reduce the life of the boom and stick.

(continued on next page)

M319 Wheeled Excavator Specifications

Bucket Specifications and Compatibility – Europe (continued)

Contact your Cat dealer for special bucket requirements. Configurations calculated with wide axle width 2.5 m (8'2").

| | Linkage | Width | | Capacity | | Weight | | Fill | Free on wheels | Only dozer (blade) lowered | Dozer (blade) and two stabilizers (outrigger) lowered | Four stabilizers (outrigger) lowered | Free on wheels | Only dozer (blade) lowered | Dozer (blade) and two stabilizers (outrigger) lowered | Four stabilizers (outrigger) lowered | Free on wheels | Only dozer (blade) lowered | Dozer (blade) and two stabilizers (outrigger) lowered | Four stabilizers (outrigger) lowered | | | | | | | | | | | | | | |
|---|---------|-------|----|----------------|-----------------|--------|----|------|---------------------------------|----------------------------|---|--------------------------------------|---------------------|----------------------------|---|--------------------------------------|---------------------|----------------------------|---|--------------------------------------|------|----|-------|-------|-------|-------|-------|-------|-------|-------|-------|-------|-------|-------|
| | | mm | in | m ³ | yd ³ | kg | lb | | | | | | | | | | | | | | % | | | | | | | | | | | | | |
| CW30S, TRS14 CW30S | | | | | | | | | Variable Adjustable Boom | | | | | | | | | | | | | | | | | | | | | | | | | |
| | | | | | | | | | 2.2 m (7'3") | | | | 2.5 m (8'2") | | | | 2.9 m (9'6") | | | | | | | | | | | | | | | | | |
| Grading – General Duty | | | | | | | | | 316 | 1600 | 63 | 0.75 | 0.98 | 595 | 1,311 | 100 | X | X | ● | ● | X | X | ● | ● | X | X | ● | ● | | | | | | |
| Maximum load with pin-on (payload + bucket) | | | | | | | | | kg | 927 | 1197 | 2517 | 3256 | 833 | 1091 | 2353 | 3056 | 675 | 917 | 2095 | 2748 | lb | 2,044 | 2,639 | 5,550 | 7,178 | 1,836 | 2,406 | 5,187 | 6,736 | 1,488 | 2,022 | 4,620 | 6,059 |
| S60, TRS14 S60 | | | | | | | | | Variable Adjustable Boom | | | | | | | | | | | | | | | | | | | | | | | | | |
| | | | | | | | | | 2.2 m (7'3") | | | | 2.5 m (8'2") | | | | 2.9 m (9'6") | | | | | | | | | | | | | | | | | |
| Grading – General Duty | | | | | | | | | 316 | 1600 | 63 | 0.75 | 0.98 | 576 | 1,270 | 100 | X | ◇ | ● | ● | X | ◇ | ● | ● | X | X | ● | ● | X | X | ● | ● | | |
| | | | | | | | | | 316 | 1700 | 67 | 0.80 | 1.05 | 610 | 1,346 | 100 | X | ◇ | ● | ● | X | X | ● | ● | X | X | ● | ● | X | X | ● | ● | | |
| | | | | | | | | | 316 | 1800 | 71 | 0.90 | 1.18 | 643 | 1,418 | 100 | X | X | ● | ● | X | X | ● | ● | X | X | ⊙ | ● | X | X | ⊙ | ● | | |
| Trenching – General Duty | | | | | | | | | 316 | 540 | 21 | 0.33 | 0.43 | 540 | 1,190 | 100 | ⊖ | ● | ● | ● | ○ | ● | ● | ● | ◇ | ⊖ | ● | ● | ● | ● | ● | ● | ● | ● |
| Maximum load with pin-on (payload + bucket) | | | | | | | | | kg | 1084 | 1354 | 2674 | 3413 | 990 | 1248 | 2510 | 3213 | 832 | 1074 | 2252 | 2905 | lb | 2,390 | 2,985 | 5,896 | 7,524 | 2,183 | 2,752 | 5,533 | 7,083 | 1,835 | 2,368 | 4,966 | 6,405 |

Maximum Material Density:

- 2100 kg/m³ (3,500 lb/yd³)
- ⊙ 1800 kg/m³ (3,000 lb/yd³)
- ⊖ 1500 kg/m³ (2,500 lb/yd³)
- 1200 kg/m³ (2,000 lb/yd³)
- ◇ 900 kg/m³ (1,500 lb/yd³)
- X Not Recommended

The above loads are in compliance with hydraulic excavator standard EN474-5:2006+A3:2013, they do not exceed 87% of hydraulic lifting capacity or 75% of tipping capacity with front linkage fully extended at ground line with bucket curled. Capacity based on ISO 7451.

Caterpillar recommends using appropriate work tools to maximize the value customers receive from our products. Use of work tools, including buckets, which are outside of Caterpillar's recommendations or specifications for weight, dimensions, flows, pressures, etc. may result in less-than-optimal performance, including but not limited to reductions in production, stability, reliability, and component durability. Improper use of a work tool resulting in sweeping, prying, twisting and/or catching of heavy loads will reduce the life of the boom and stick.

M319 Wheeled Excavator Specifications

Bucket Specifications and Compatibility – North America

Contact your Cat dealer for special bucket requirements. Configurations calculated with wide axle width 2.5 m (8'2").

| | Linkage | Width | | Capacity | | Weight | | Fill | Free on wheels | Only dozer (blade) lowered | Dozer (blade) and two stabilizers (outrigger) lowered | Four stabilizers (outrigger) lowered | Free on wheels | Only dozer (blade) lowered | Dozer (blade) and two stabilizers (outrigger) lowered | Four stabilizers (outrigger) lowered | |
|--|---------|-------|----|----------------|-----------------|--------|-------|------|----------------|---------------------------------|---|--------------------------------------|----------------|----------------------------|---|--------------------------------------|-------|
| | | mm | in | m ³ | yd ³ | kg | lb | | | | | | | | | | % |
| | | | | | | | | | | Variable Adjustable Boom | | | | | | | |
| | | | | | | | | | | 2.5 m (8'2") | | | | 2.9 m (9'6") | | | |
| Pin-On (No Quick Coupler) | | | | | | | | | | | | | | | | | |
| General Duty | 316 | 600 | 24 | 0.35 | 0.46 | 454 | 1,001 | 100 | ● | ● | ● | ● | ● | ● | ● | ● | |
| | 316 | 750 | 30 | 0.49 | 0.64 | 516 | 1,137 | 100 | ● | ● | ● | ● | ● | ● | ● | ● | |
| | 316 | 900 | 36 | 0.62 | 0.81 | 580 | 1,278 | 100 | ⊙ | ● | ● | ● | ⊖ | ⊙ | ● | ● | |
| | 316 | 1050 | 42 | 0.76 | 1.00 | 629 | 1,386 | 100 | ○ | ⊙ | ● | ● | ○ | ⊖ | ● | ● | |
| General Duty – Wide Tip | 316 | 1200 | 48 | 0.91 | 1.19 | 697 | 1,538 | 100 | ◇ | ○ | ● | ● | ◇ | ○ | ● | ● | |
| | 316 | 600 | 24 | 0.42 | 0.55 | 473 | 1,042 | 100 | ● | ● | ● | ● | ● | ● | ● | ● | |
| | 316 | 750 | 30 | 0.58 | 0.76 | 535 | 1,179 | 100 | ● | ● | ● | ● | ⊙ | ● | ● | ● | |
| Severe Duty | 316 | 1050 | 42 | 0.90 | 1.18 | 670 | 1,478 | 100 | ○ | ⊖ | ● | ● | ◇ | ○ | ● | ● | |
| | 316 | 600 | 24 | 0.35 | 0.46 | 505 | 1,113 | 90 | ● | ● | ● | ● | ● | ● | ● | ● | |
| | 316 | 750 | 30 | 0.49 | 0.64 | 578 | 1,274 | 90 | ● | ● | ● | ● | ● | ● | ● | ● | |
| | 316 | 900 | 36 | 0.62 | 0.81 | 653 | 1,440 | 90 | ⊙ | ● | ● | ● | ⊖ | ● | ● | ● | |
| Ditch Cleaning | 316 | 1050 | 42 | 0.76 | 1.00 | 708 | 1,561 | 90 | ⊖ | ⊙ | ● | ● | ○ | ⊖ | ● | ● | |
| | 316 | 1200 | 48 | 0.91 | 1.19 | 785 | 1,731 | 90 | ◇ | ⊖ | ● | ● | ◇ | ○ | ● | ● | |
| | 316 | 1500 | 60 | 0.93 | 1.22 | 579 | 1,277 | 100 | ○ | ⊖ | ● | ● | ◇ | ○ | ● | ● | |
| | 316 | 1800 | 72 | 0.78 | 1.02 | 928 | 2,046 | 100 | ◇ | ○ | ● | ● | X | ◇ | ● | ● | |
| | 316 | 2000 | 79 | 0.86 | 1.12 | 1043 | 2,299 | 100 | X | ◇ | ● | ● | X | ◇ | ● | ● | |
| Maximum load with pin-on (payload + bucket) | | | | | | | | | kg | 1706 | 1964 | 3226 | 3929 | 1548 | 1790 | 2968 | 3621 |
| | | | | | | | | | lb | 3,761 | 4,330 | 7,112 | 8,661 | 3,413 | 3,946 | 6,544 | 7,984 |
| | | | | | | | | | | Variable Adjustable Boom | | | | | | | |
| | | | | | | | | | | 2.5 m (8'2") | | | | 2.9 m (9'6") | | | |
| With Pin Grabber Coupler | | | | | | | | | | | | | | | | | |
| General Duty | 316 | 600 | 24 | 0.35 | 0.46 | 454 | 1,001 | 100 | ● | ● | ● | ● | ● | ● | ● | ● | |
| | 316 | 750 | 30 | 0.49 | 0.64 | 516 | 1,137 | 100 | ● | ● | ● | ● | ● | ● | ● | ● | |
| | 316 | 900 | 36 | 0.62 | 0.81 | 580 | 1,278 | 100 | ⊙ | ● | ● | ● | ⊖ | ⊙ | ● | ● | |
| | 316 | 1050 | 42 | 0.76 | 1.00 | 629 | 1,386 | 100 | ○ | ⊙ | ● | ● | ○ | ⊖ | ● | ● | |
| General Duty – Wide Tip | 316 | 1200 | 48 | 0.91 | 1.19 | 697 | 1,538 | 100 | ◇ | ○ | ● | ● | ◇ | ○ | ● | ● | |
| | 316 | 600 | 24 | 0.42 | 0.55 | 473 | 1,042 | 100 | ● | ● | ● | ● | ● | ● | ● | ● | |
| | 316 | 750 | 30 | 0.58 | 0.76 | 535 | 1,179 | 100 | ● | ● | ● | ● | ⊙ | ● | ● | ● | |
| Severe Duty | 316 | 1050 | 42 | 0.90 | 1.18 | 670 | 1,478 | 100 | ○ | ⊖ | ● | ● | ◇ | ○ | ● | ● | |
| | 316 | 600 | 24 | 0.35 | 0.46 | 505 | 1,113 | 90 | ● | ● | ● | ● | ● | ● | ● | ● | |
| | 316 | 750 | 30 | 0.49 | 0.64 | 578 | 1,274 | 90 | ● | ● | ● | ● | ● | ● | ● | ● | |
| | 316 | 900 | 36 | 0.62 | 0.81 | 653 | 1,440 | 90 | ⊙ | ● | ● | ● | ⊖ | ● | ● | ● | |
| General Duty – Pin Grabber Performance | 316 | 1050 | 42 | 0.76 | 1.00 | 708 | 1,561 | 90 | ⊖ | ⊙ | ● | ● | ○ | ⊖ | ● | ● | |
| | 316 | 1200 | 48 | 0.91 | 1.19 | 785 | 1,731 | 90 | ◇ | ⊖ | ● | ● | ◇ | ○ | ● | ● | |
| | 316 | 600 | 24 | 0.33 | 0.43 | 436 | 961 | 100 | ● | ● | ● | ● | ● | ● | ● | ● | |
| | 316 | 900 | 36 | 0.57 | 0.75 | 578 | 1,273 | 100 | ⊙ | ● | ● | ● | ⊖ | ● | ● | ● | |
| Severe Duty – Pin Grabber Performance | 316 | 1050 | 42 | 0.70 | 0.92 | 712 | 1,570 | 90 | ⊖ | ⊙ | ● | ● | ○ | ⊙ | ● | ● | |
| Ditch Cleaning | 316 | 1500 | 60 | 0.93 | 1.22 | 579 | 1,277 | 100 | ○ | ⊖ | ● | ● | ◇ | ○ | ● | ● | |
| Ditch Cleaning Tilt | 316 | 1500 | 60 | 0.64 | 0.84 | 830 | 1,829 | 100 | ○ | ⊙ | ● | ● | ◇ | ⊖ | ● | ● | |
| | 316 | 1800 | 72 | 0.78 | 1.02 | 928 | 2,046 | 100 | ◇ | ○ | ● | ● | X | ◇ | ● | ● | |
| | 316 | 2000 | 79 | 0.86 | 1.12 | 1043 | 2,299 | 100 | X | ◇ | ● | ● | X | ◇ | ● | ● | |
| Maximum load with coupler (payload + bucket) | | | | | | | | | kg | 1375 | 1633 | 2895 | 3598 | 1217 | 1459 | 2638 | 3290 |
| | | | | | | | | | lb | 3,032 | 3,601 | 6,382 | 7,932 | 2,684 | 3,217 | 5,815 | 7,254 |

Maximum Material Density:

- 2100 kg/m³ (3,500 lb/yd³)
- ⊙ 1800 kg/m³ (3,000 lb/yd³)
- ⊖ 1500 kg/m³ (2,500 lb/yd³)
- 1200 kg/m³ (2,000 lb/yd³)
- ◇ 900 kg/m³ (1,500 lb/yd³)
- X Not Recommended

The above loads are in compliance with hydraulic excavator standard EN474-5:2006+A3:2013, they do not exceed 87% of hydraulic lifting capacity or 75% of tipping capacity with front linkage fully extended at ground line with bucket curled. Capacity based on ISO 7451.

Caterpillar recommends using appropriate work tools to maximize the value customers receive from our products. Use of work tools, including buckets, which are outside of Caterpillar's recommendations or specifications for weight, dimensions, flows, pressures, etc. may result in less-than-optimal performance, including but not limited to reductions in production, stability, reliability, and component durability. Improper use of a work tool resulting in sweeping, prying, twisting and/or catching of heavy loads will reduce the life of the boom and stick.

M319 Wheeled Excavator Specifications

Attachments Offering Guide – Europe

Not all Attachments are available in all regions. Consult your Cat dealer for configurations available in your region. Configurations calculated with wide axle width 2.5 m (8'2").

Match
 No Match
 1800 kg/m³ (3,000 lb/yd³)
 1200 kg/m³ (2,000 lb/yd³)
 600 kg/m³ (1,000 lb/yd³)

PIN-ON ATTACHMENTS

| Undercarriage | Boom Type | Rear Outrigger/Front Blade | | | Rear Outrigger/Front Outrigger | | |
|------------------------------------|----------------|----------------------------|--------------|--------------|--------------------------------|--------------|--------------|
| | | Variable Adjustable Boom | | | Variable Adjustable Boom | | |
| Stick Length | | 2.2 m (7'3") | 2.5 m (8'2") | 2.9 m (9'6") | 2.2 m (7'3") | 2.5 m (8'2") | 2.9 m (9'6") |
| Hydraulic Hammers | H110 S | ✓ | ✓ | ✓ | ✓ | ✓ | ✓ |
| | H115 GC S | ✓ | ✓ | ✓ | ✓ | ✓ | ✓ |
| | H115 S | ✓ | ✓ | ✓ | ✓ | ✓ | ✓ |
| | H120 S | | ✓ | ✓ | | ✓ | ✓ |
| Demolition and Sorting Grapples | G313 GC | ✓ | ✓ | ✓ | ✓ | ✓ | ✓ |
| | G314 | ✓ | ✓ | ✓ | ✓ | ✓ | ✓ |
| Mobile Scrap and Demolition Shears | S3015 Flat Top | | ✓ | | | ✓ | |
| Compactors (Vibratory Plate) | CVP75 | ✓ | ✓ | ✓ | ✓ | ✓ | ✓ |
| Orange Peel Grapples | GSH420-500 | ● | ● | ● | ● | ● | ● |
| | GSH420-600 | ● | ● | ● | ● | ● | ● |
| | GSH420-750 | ● | ● | ○ | ● | ● | ○ |
| | GSH520-500 | ● | ● | ● | ● | ● | ● |
| | GSH520-600 | ● | ● | ○ | ● | ● | ○ |
| | GSH520-750 | ● | ● | | ● | ● | |
| | GSV420-400 | ● | ● | ● | ● | ● | ● |
| | GSV420-500 | ● | ● | ● | ● | ● | ● |
| | GSV420-600 | ● | ● | ● | ● | ● | ● |
| | GSV420-750 | ● | ● | ○ | ● | ● | ○ |
| | GSV420-1250 | ◇ | ◇ | ◇ | ◇ | ◇ | ◇ |
| | GSV520-400 | ● | ● | ● | ● | ● | ● |
| | GSV520-500 | ● | ● | ● | ● | ● | ● |
| | GSV520-600 | ● | ● | ○ | ● | ● | ○ |
| | GSV520-750 | ● | ● | ○ | ● | ● | ○ |
| | GSV520 GC-400 | ● | ● | ● | ● | ● | ● |
| | GSV520 GC-500 | ● | ● | ● | ● | ● | ● |
| | GSV520 GC-600 | ● | ● | ● | ● | ● | ● |
| | GSV520 GC-750 | ● | ● | ○ | ● | ● | ○ |
| Hydraulic Transfer Grab | CTV15-1000 | ● | ○ | | ● | ○ | |

(continued on next page)

M319 Wheeled Excavator Specifications

Attachments Offering Guide – Europe (continued)

Not all Attachments are available in all regions. Consult your Cat dealer for configurations available in your region. Configurations calculated with wide axle width 2.5 m (8'2").

Match
 No Match
 1800 kg/m³ (3,000 lb/yd³)
 1200 kg/m³ (2,000 lb/yd³)
 600 kg/m³ (1,000 lb/yd³)

PIN-ON ATTACHMENTS (continued)

| Undercarriage | Boom Type | Rear Blade/Front Outrigger (Wide Undercarriage) | | | Rear Blade/Front Outrigger | | |
|------------------------------------|-------------------------|--|--------------|--------------|----------------------------|--------------|--------------|
| | | Variable Adjustable Boom | | | Variable Adjustable Boom | | |
| | | 2.2 m (7'3") | 2.5 m (8'2") | 2.9 m (9'6") | 2.2 m (7'3") | 2.5 m (8'2") | 2.9 m (9'6") |
| Hydraulic Hammers | H110 S | ✓ | ✓ | ✓ | ✓ | ✓ | ✓ |
| | H115 GC S | ✓ | ✓ | ✓ | ✓ | ✓ | ✓ |
| | H115 S | ✓ | ✓ | ✓ | ✓ | ✓ | ✓ |
| | H120 S | | ✓ | ✓ | | ✓ | ✓ |
| Demolition and Sorting Grapples | G313 GC | ✓ | ✓ | ✓ | ✓ | ✓ | ✓ |
| | G314 | ✓ | ✓ | ✓ | ✓ | ✓ | ✓ |
| Mobile Scrap and Demolition Shears | S3015 Flat Top | | ✓ | | | ✓ | |
| Compactors (Vibratory Plate) | CVP75 | ✓ | ✓ | ✓ | ✓ | ✓ | ✓ |
| Orange Peel Grapples | GSH420-500 | ● | ● | ● | ● | ● | ● |
| | GSH420-600 | ● | ● | ● | ● | ● | ● |
| | GSH420-750 | ● | ● | ○ | ● | ● | ○ |
| | GSH520-500 | ● | ● | ● | ● | ● | ● |
| | GSH520-600 | ● | ● | ○ | ● | ● | ○ |
| | GSH520-750 | ● | ● | | ● | ● | |
| | GSV420-400 | ● | ● | ● | ● | ● | ● |
| | GSV420-500 | ● | ● | ● | ● | ● | ● |
| | GSV420-600 | ● | ● | ● | ● | ● | ● |
| | GSV420-750 | ● | ● | ○ | ● | ● | ○ |
| | GSV420-1250 | ◇ | ◇ | ◇ | ◇ | ◇ | ◇ |
| | GSV520-400 | ● | ● | ● | ● | ● | ● |
| | GSV520-500 | ● | ● | ● | ● | ● | ● |
| | GSV520-600 | ● | ● | ○ | ● | ● | ● |
| | GSV520-750 | ● | ● | ○ | ● | ● | ○ |
| | GSV520 GC-400 | ● | ● | ● | ● | ● | ● |
| | GSV520 GC-500 | ● | ● | ● | ● | ● | ● |
| | GSV520 GC-600 | ● | ● | ● | ● | ● | ○ |
| | GSV520 GC-750 | ● | ● | ○ | ● | ● | ○ |
| | Hydraulic Transfer Grab | CTV15-1000 | ● | ○ | | ● | ○ |

(continued on next page)

M319 Wheeled Excavator Specifications

Attachments Offering Guide – Europe (continued)

Not all Attachments are available in all regions. Consult your Cat dealer for configurations available in your region. Configurations calculated with wide axle width 2.5 m (8'2").

Match
 No Match
 1800 kg/m³ (3,000 lb/yd³)
 1200 kg/m³ (2,000 lb/yd³)
 600 kg/m³ (1,000 lb/yd³)

PIN-ON ATTACHMENTS (continued)

| Undercarriage | | Rear Blade | | | Rear Blade (Wide Undercarriage) | | |
|------------------------------------|----------------|--------------------------|--------------|--------------|---------------------------------|--------------|--------------|
| | | Variable Adjustable Boom | | | Variable Adjustable Boom | | |
| Boom Type | | 2.2 m (7'3") | 2.5 m (8'2") | 2.9 m (9'6") | 2.2 m (7'3") | 2.5 m (8'2") | 2.9 m (9'6") |
| Stick Length | | 2.2 m (7'3") | 2.5 m (8'2") | 2.9 m (9'6") | 2.2 m (7'3") | 2.5 m (8'2") | 2.9 m (9'6") |
| Hydraulic Hammers | H110 S | ✓ | ✓ | ✓ | ✓ | ✓ | ✓ |
| | H115 GC S | ✓ | ✓ | ✓ | ✓ | ✓ | ✓ |
| | H115 S | ✓ | ✓ | ✓ | ✓ | ✓ | ✓ |
| | H120 S | | ✓ | ✓ | | ✓ | ✓ |
| Demolition and Sorting Grapples | G313 GC | ✓ | ✓ | ✓ | ✓ | ✓ | ✓ |
| | G314 | ✓ | ✓ | ✓ | ✓ | ✓ | ✓ |
| Mobile Scrap and Demolition Shears | S3015 Flat Top | | ✓ | | | ✓ | |
| Compactors (Vibratory Plate) | CVP75 | ✓ | ✓ | ✓ | ✓ | ✓ | ✓ |
| Orange Peel Grapples | GSH420-500 | ○ | ○ | ○ | ● | ● | ○ |
| | GSH420-600 | ○ | ○ | | ● | ○ | ○ |
| | GSH420-750 | | | | ○ | ○ | |
| | GSH520-500 | ○ | | | ● | ○ | ○ |
| | GSH520-600 | | | | ○ | ○ | |
| | GSV420-400 | ● | ● | ● | ● | ● | ● |
| | GSV420-500 | ● | ○ | ○ | ● | ● | ● |
| | GSV420-600 | ○ | ○ | | ● | ○ | ○ |
| | GSV420-750 | ○ | | | ○ | ○ | |
| | GSV420-1250 | ◇ | | | ◇ | ◇ | ◇ |
| | GSV520-400 | ● | ● | ○ | ● | ● | ● |
| | GSV520-500 | ○ | ○ | ○ | ● | ● | ○ |
| | GSV520-600 | ○ | ○ | | ○ | ○ | ○ |
| | GSV520-750 | | | | ○ | | |
| | GSV520 GC-400 | ● | ● | ○ | ● | ● | ● |
| | GSV520 GC-500 | ○ | ○ | | ● | ● | ○ |
| | GSV520 GC-600 | ○ | | | ○ | ○ | ○ |
| GSV520 GC-750 | | | | ○ | ○ | | |

(continued on next page)

M319 Wheeled Excavator Specifications

Attachments Offering Guide – Europe (continued)

Not all Attachments are available in all regions. Consult your Cat dealer for configurations available in your region. Configurations calculated with wide axle width 2.5 m (8'2").

Match

No Match

CAT PIN GRABBER COUPLER ATTACHMENTS

| Undercarriage | | Rear Outrigger/Front Blade | | | Rear Outrigger/Front Outrigger | | |
|------------------------------|-----------|----------------------------|--------------|--------------|--------------------------------|--------------|--------------|
| | | Variable Adjustable Boom | | | Variable Adjustable Boom | | |
| Stick Length | | 2.2 m (7'3") | 2.5 m (8'2") | 2.9 m (9'6") | 2.2 m (7'3") | 2.5 m (8'2") | 2.9 m (9'6") |
| Hydraulic Hammers | H110 S | ✓ | ✓ | ✓ | ✓ | ✓ | ✓ |
| | H115 GC S | | ✓ | ✓ | | ✓ | ✓ |
| | H115 S | ✓ | ✓ | ✓ | ✓ | ✓ | ✓ |
| Compactors (Vibratory Plate) | CVP75 | ✓ | ✓ | ✓ | ✓ | ✓ | ✓ |

CAT PIN GRABBER COUPLER ATTACHMENTS (continued)

| Undercarriage | | Rear Blade/Front Outrigger (Wide Undercarriage) | | | Rear Blade/Front Outrigger | | |
|------------------------------|-----------|--|--------------|--------------|----------------------------|--------------|--------------|
| | | Variable Adjustable Boom | | | Variable Adjustable Boom | | |
| Stick Length | | 2.2 m (7'3") | 2.5 m (8'2") | 2.9 m (9'6") | 2.2 m (7'3") | 2.5 m (8'2") | 2.9 m (9'6") |
| Hydraulic Hammers | H110 S | ✓ | ✓ | ✓ | ✓ | ✓ | ✓ |
| | H115 GC S | | ✓ | ✓ | | ✓ | ✓ |
| | H115 S | ✓ | ✓ | ✓ | ✓ | ✓ | ✓ |
| Compactors (Vibratory Plate) | CVP75 | ✓ | ✓ | ✓ | ✓ | ✓ | ✓ |

CAT PIN GRABBER COUPLER ATTACHMENTS (continued)

| Undercarriage | | Rear Blade | | | Rear Blade (Wide Undercarriage) | | |
|------------------------------|-----------|--------------------------|--------------|--------------|---------------------------------|--------------|--------------|
| | | Variable Adjustable Boom | | | Variable Adjustable Boom | | |
| Stick Length | | 2.2 m (7'3") | 2.5 m (8'2") | 2.9 m (9'6") | 2.2 m (7'3") | 2.5 m (8'2") | 2.9 m (9'6") |
| Hydraulic Hammers | H110 S | ✓ | ✓ | ✓ | ✓ | ✓ | ✓ |
| | H115 GC S | | ✓ | ✓ | | ✓ | ✓ |
| | H115 S | ✓ | ✓ | ✓ | ✓ | ✓ | ✓ |
| Compactors (Vibratory Plate) | CVP75 | ✓ | ✓ | ✓ | ✓ | ✓ | ✓ |

(continued on next page)

M319 Wheeled Excavator Specifications

Attachments Offering Guide – Europe (continued)

Not all Attachments are available in all regions. Consult your Cat dealer for configurations available in your region. Configurations calculated with wide axle width 2.5 m (8'2").

Match

* Working range front only

No Match

CW-30S DEDICATED COUPLER ATTACHMENTS

| Undercarriage | | Rear Outrigger/Front Blade | | | Rear Outrigger/Front Outrigger | | |
|---------------------------------|---------|----------------------------|--------------|--------------|--------------------------------|--------------|--------------|
| | | Variable Adjustable Boom | | | Variable Adjustable Boom | | |
| Stick Length | | 2.2 m (7'3") | 2.5 m (8'2") | 2.9 m (9'6") | 2.2 m (7'3") | 2.5 m (8'2") | 2.9 m (9'6") |
| Hydraulic Hammers | H110 S | ✓ | ✓ | ✓ | ✓ | ✓ | ✓ |
| | H115 S | ✓ | ✓ | ✓ | ✓ | ✓ | ✓ |
| Demolition and Sorting Grapples | G313 GC | | ✓ | ✓ | | ✓ | ✓ |
| | G314 | | ✓ | ✓ | | ✓ | ✓ |
| Compactors (Vibratory Plate) | CVP75 | ✓ | ✓ | ✓ | ✓ | ✓ | ✓ |

CW-30S DEDICATED COUPLER ATTACHMENTS (continued)

| Undercarriage | | Rear Blade/Front Outrigger (Wide Undercarriage) | | | Rear Blade/Front Outrigger | | |
|---------------------------------|---------|--|--------------|--------------|----------------------------|--------------|--------------|
| | | Variable Adjustable Boom | | | Variable Adjustable Boom | | |
| Stick Length | | 2.2 m (7'3") | 2.5 m (8'2") | 2.9 m (9'6") | 2.2 m (7'3") | 2.5 m (8'2") | 2.9 m (9'6") |
| Hydraulic Hammers | H110 S | ✓ | ✓ | ✓ | ✓ | ✓ | ✓ |
| | H115 S | ✓ | ✓ | ✓ | ✓ | ✓ | ✓ |
| Demolition and Sorting Grapples | G313 GC | | ✓ | ✓ | | ✓ | ✓ |
| | G314 | | ✓ | ✓ | | ✓ | ✓ |
| Compactors (Vibratory Plate) | CVP75 | ✓ | ✓ | ✓ | ✓ | ✓ | ✓ |

CW-30S DEDICATED COUPLER ATTACHMENTS (continued)

| Undercarriage | | Rear Blade | | | Rear Blade (Wide Undercarriage) | | |
|---------------------------------|---------|--------------------------|--------------|--------------|---------------------------------|--------------|--------------|
| | | Variable Adjustable Boom | | | Variable Adjustable Boom | | |
| Stick Length | | 2.2 m (7'3") | 2.5 m (8'2") | 2.9 m (9'6") | 2.2 m (7'3") | 2.5 m (8'2") | 2.9 m (9'6") |
| Hydraulic Hammers | H110 S | ✓ | ✓ | ✓ | ✓ | ✓ | ✓ |
| | H115 S | ✓ | ✓ | ✓ | ✓ | ✓ | ✓ |
| Demolition and Sorting Grapples | G313 GC | | ✓ | ✓* | | ✓ | ✓ |
| | G314 | | ✓ | ✓* | | ✓ | ✓ |
| Compactors (Vibratory Plate) | CVP75 | ✓ | ✓ | ✓ | ✓ | ✓ | ✓ |

(continued on next page)

M319 Wheeled Excavator Specifications

Attachments Offering Guide – Europe (continued)

Not all Attachments are available in all regions. Consult your Cat dealer for configurations available in your region. Configurations calculated with wide axle width 2.5 m (8'2").

Match

* Working range front only

No Match

CW-30 DEDICATED COUPLER ATTACHMENTS

| Undercarriage | | Rear Outrigger/Front Blade | | | Rear Outrigger/Front Outrigger | | |
|------------------------------------|-------------------|----------------------------|--------------|--------------|--------------------------------|--------------|--------------|
| Boom Type | | Variable Adjustable Boom | | | Variable Adjustable Boom | | |
| Stick Length | | 2.2 m (7'3") | 2.5 m (8'2") | 2.9 m (9'6") | 2.2 m (7'3") | 2.5 m (8'2") | 2.9 m (9'6") |
| Hydraulic Hammers | H110 S | ✓ | ✓ | ✓ | ✓ | ✓ | ✓ |
| | H115 GC S | ✓ | ✓ | ✓ | ✓ | ✓ | ✓ |
| | H115 S | ✓ | ✓ | ✓ | ✓ | ✓ | ✓ |
| Demolition and Sorting Grapples | G313 GC | ✓ | ✓ | ✓ | ✓ | ✓ | ✓ |
| | G313 GC Fixed CAN | ✓ | ✓ | ✓ | ✓ | ✓ | ✓ |
| | G314 | ✓ | ✓ | ✓ | ✓ | ✓ | ✓ |
| Mobile Scrap and Demolition Shears | S3015 Flat Top | | ✓ | ✓ | | ✓ | ✓ |
| Compactors (Vibratory Plate) | CVP75 | ✓ | ✓ | ✓ | ✓ | ✓ | ✓ |

CW-30 DEDICATED COUPLER ATTACHMENTS (continued)

| Undercarriage | | Rear Blade/Front Outrigger (Wide Undercarriage) | | | Rear Blade/Front Outrigger | | |
|------------------------------------|-------------------|--|--------------|--------------|----------------------------|--------------|--------------|
| Boom Type | | Variable Adjustable Boom | | | Variable Adjustable Boom | | |
| Stick Length | | 2.2 m (7'3") | 2.5 m (8'2") | 2.9 m (9'6") | 2.2 m (7'3") | 2.5 m (8'2") | 2.9 m (9'6") |
| Hydraulic Hammers | H110 S | ✓ | ✓ | ✓ | ✓ | ✓ | ✓ |
| | H115 GC S | ✓ | ✓ | ✓ | ✓ | ✓ | ✓ |
| | H115 S | ✓ | ✓ | ✓ | ✓ | ✓ | ✓ |
| Demolition and Sorting Grapples | G313 GC | ✓ | ✓ | ✓ | ✓ | ✓ | ✓ |
| | G313 GC Fixed CAN | ✓ | ✓ | ✓ | ✓ | ✓ | ✓ |
| | G314 | ✓ | ✓ | ✓ | ✓ | ✓ | ✓ |
| Mobile Scrap and Demolition Shears | S3015 Flat Top | | ✓ | ✓ | | ✓ | ✓ |
| Compactors (Vibratory Plate) | CVP75 | ✓ | ✓ | ✓ | ✓ | ✓ | ✓ |

CW-30 DEDICATED COUPLER ATTACHMENTS (continued)

| Undercarriage | | Rear Blade | | | Rear Blade (Wide Undercarriage) | | |
|------------------------------------|-------------------|--------------------------|--------------|--------------|---------------------------------|--------------|--------------|
| Boom Type | | Variable Adjustable Boom | | | Variable Adjustable Boom | | |
| Stick Length | | 2.2 m (7'3") | 2.5 m (8'2") | 2.9 m (9'6") | 2.2 m (7'3") | 2.5 m (8'2") | 2.9 m (9'6") |
| Hydraulic Hammers | H110 S | ✓ | ✓ | ✓ | ✓ | ✓ | ✓ |
| | H115 GC S | ✓ | ✓ | ✓ | ✓ | ✓ | ✓ |
| | H115 S | ✓ | ✓ | ✓ | ✓ | ✓ | ✓ |
| Demolition and Sorting Grapples | G313 GC | ✓ | ✓ | ✓* | ✓ | ✓ | ✓ |
| | G313 GC Fixed CAN | ✓ | ✓ | ✓ | ✓ | ✓ | ✓ |
| | G314 | ✓ | ✓ | ✓* | ✓ | ✓ | ✓ |
| Mobile Scrap and Demolition Shears | S3015 Flat Top | | ✓ | ✓* | | ✓ | ✓ |
| Compactors (Vibratory Plate) | CVP75 | ✓ | ✓ | ✓ | ✓ | ✓ | ✓ |

(continued on next page)

M319 Wheeled Excavator Specifications

Attachments Offering Guide – Europe (continued)

Not all Attachments are available in all regions. Consult your Cat dealer for configurations available in your region. Configurations calculated with wide axle width 2.5 m (8'2").

Match

No Match

S60 DEDICATED COUPLER ATTACHMENTS

| Undercarriage | | Rear Outrigger/Front Blade | | | Rear Outrigger/Front Outrigger | | |
|---------------------------------|-----------|----------------------------|--------------|--------------|--------------------------------|--------------|--------------|
| Boom Type | | Variable Adjustable Boom | | | Variable Adjustable Boom | | |
| Stick Length | | 2.2 m (7'3") | 2.5 m (8'2") | 2.9 m (9'6") | 2.2 m (7'3") | 2.5 m (8'2") | 2.9 m (9'6") |
| Hydraulic Hammers | H110 S | ✓ | ✓ | ✓ | ✓ | ✓ | ✓ |
| | H115 GC S | ✓ | ✓ | ✓ | ✓ | ✓ | ✓ |
| | H115 S | ✓ | ✓ | ✓ | ✓ | ✓ | ✓ |
| Demolition and Sorting Grapples | G313 GC | | ✓ | | | ✓ | |
| Compactors (Vibratory Plate) | CVP75 | ✓ | ✓ | ✓ | ✓ | ✓ | ✓ |

S60 DEDICATED COUPLER ATTACHMENTS (continued)

| Undercarriage | | Rear Blade/Front Outrigger (Wide Undercarriage) | | | Rear Blade/Front Outrigger | | |
|---------------------------------|-----------|--|--------------|--------------|----------------------------|--------------|--------------|
| Boom Type | | Variable Adjustable Boom | | | Variable Adjustable Boom | | |
| Stick Length | | 2.2 m (7'3") | 2.5 m (8'2") | 2.9 m (9'6") | 2.2 m (7'3") | 2.5 m (8'2") | 2.9 m (9'6") |
| Hydraulic Hammers | H110 S | ✓ | ✓ | ✓ | ✓ | ✓ | ✓ |
| | H115 GC S | ✓ | ✓ | ✓ | ✓ | ✓ | ✓ |
| | H115 S | ✓ | ✓ | ✓ | ✓ | ✓ | ✓ |
| Demolition and Sorting Grapples | G313 GC | | ✓ | | | ✓ | |
| Compactors (Vibratory Plate) | CVP75 | ✓ | ✓ | ✓ | ✓ | ✓ | ✓ |

S60 DEDICATED COUPLER ATTACHMENTS (continued)

| Undercarriage | | Rear Blade | | | Rear Blade (Wide Undercarriage) | | |
|---------------------------------|-----------|--------------------------|--------------|--------------|---------------------------------|--------------|--------------|
| Boom Type | | Variable Adjustable Boom | | | Variable Adjustable Boom | | |
| Stick Length | | 2.2 m (7'3") | 2.5 m (8'2") | 2.9 m (9'6") | 2.2 m (7'3") | 2.5 m (8'2") | 2.9 m (9'6") |
| Hydraulic Hammers | H110 S | ✓ | ✓ | ✓ | ✓ | ✓ | ✓ |
| | H115 GC S | ✓ | ✓ | ✓ | ✓ | ✓ | ✓ |
| | H115 S | ✓ | ✓ | ✓ | ✓ | ✓ | ✓ |
| Demolition and Sorting Grapples | G313 GC | | ✓ | | | ✓ | |
| Compactors (Vibratory Plate) | CVP75 | ✓ | ✓ | ✓ | ✓ | ✓ | ✓ |

(continued on next page)

M319 Wheeled Excavator Specifications

Attachments Offering Guide – Europe (continued)

Not all Attachments are available in all regions. Consult your Cat dealer for configurations available in your region. Configurations calculated with wide axle width 2.5 m (8'2").

Match

HCS60 DEDICATED COUPLER ATTACHMENTS

| Undercarriage | | Rear Outrigger/Front Blade | | | Rear Outrigger/Front Outrigger | | |
|------------------------------|--------|----------------------------|--------------|--------------|--------------------------------|--------------|--------------|
| Boom Type | | Variable Adjustable Boom | | | Variable Adjustable Boom | | |
| Stick Length | | 2.2 m (7'3") | 2.5 m (8'2") | 2.9 m (9'6") | 2.2 m (7'3") | 2.5 m (8'2") | 2.9 m (9'6") |
| Hydraulic Hammers | H110 S | ✓ | ✓ | ✓ | ✓ | ✓ | ✓ |
| | H115 S | ✓ | ✓ | ✓ | ✓ | ✓ | ✓ |
| Compactors (Vibratory Plate) | CVP75 | ✓ | ✓ | ✓ | ✓ | ✓ | ✓ |

HCS60 DEDICATED COUPLER ATTACHMENTS (continued)

| Undercarriage | | Rear Blade/Front Outrigger (Wide Undercarriage) | | | Rear Blade/Front Outrigger | | |
|------------------------------|--------|--|--------------|--------------|----------------------------|--------------|--------------|
| Boom Type | | Variable Adjustable Boom | | | Variable Adjustable Boom | | |
| Stick Length | | 2.2 m (7'3") | 2.5 m (8'2") | 2.9 m (9'6") | 2.2 m (7'3") | 2.5 m (8'2") | 2.9 m (9'6") |
| Hydraulic Hammers | H110 S | ✓ | ✓ | ✓ | ✓ | ✓ | ✓ |
| | H115 S | ✓ | ✓ | ✓ | ✓ | ✓ | ✓ |
| Compactors (Vibratory Plate) | CVP75 | ✓ | ✓ | ✓ | ✓ | ✓ | ✓ |

HCS60 DEDICATED COUPLER ATTACHMENTS (continued)

| Undercarriage | | Rear Blade | | | Rear Blade (Wide Undercarriage) | | |
|------------------------------|--------|--------------------------|--------------|--------------|---------------------------------|--------------|--------------|
| Boom Type | | Variable Adjustable Boom | | | Variable Adjustable Boom | | |
| Stick Length | | 2.2 m (7'3") | 2.5 m (8'2") | 2.9 m (9'6") | 2.2 m (7'3") | 2.5 m (8'2") | 2.9 m (9'6") |
| Hydraulic Hammers | H110 S | ✓ | ✓ | ✓ | ✓ | ✓ | ✓ |
| | H115 S | ✓ | ✓ | ✓ | ✓ | ✓ | ✓ |
| Compactors (Vibratory Plate) | CVP75 | ✓ | ✓ | ✓ | ✓ | ✓ | ✓ |

(continued on next page)

M319 Wheeled Excavator Specifications

Attachments Offering Guide – Europe (continued)

Not all Attachments are available in all regions. Consult your Cat dealer for configurations available in your region. Configurations calculated with wide axle width 2.5 m (8'2").

Match

HCS65 DEDICATED COUPLER ATTACHMENTS

| Undercarriage | | Rear Outrigger/Front Blade | | | Rear Outrigger/Front Outrigger | | |
|------------------------------|--------|----------------------------|--------------|--------------|--------------------------------|--------------|--------------|
| Boom Type | | Variable Adjustable Boom | | | Variable Adjustable Boom | | |
| Stick Length | | 2.2 m (7'3") | 2.5 m (8'2") | 2.9 m (9'6") | 2.2 m (7'3") | 2.5 m (8'2") | 2.9 m (9'6") |
| Hydraulic Hammers | H110 S | ✓ | ✓ | ✓ | ✓ | ✓ | ✓ |
| | H115 S | ✓ | ✓ | ✓ | ✓ | ✓ | ✓ |
| Compactors (Vibratory Plate) | CVP75 | ✓ | ✓ | ✓ | ✓ | ✓ | ✓ |

HCS65 DEDICATED COUPLER ATTACHMENTS (continued)

| Undercarriage | | Rear Blade/Front Outrigger (Wide Undercarriage) | | | Rear Blade/Front Outrigger | | |
|------------------------------|--------|--|--------------|--------------|----------------------------|--------------|--------------|
| Boom Type | | Variable Adjustable Boom | | | Variable Adjustable Boom | | |
| Stick Length | | 2.2 m (7'3") | 2.5 m (8'2") | 2.9 m (9'6") | 2.2 m (7'3") | 2.5 m (8'2") | 2.9 m (9'6") |
| Hydraulic Hammers | H110 S | ✓ | ✓ | ✓ | ✓ | ✓ | ✓ |
| | H115 S | ✓ | ✓ | ✓ | ✓ | ✓ | ✓ |
| Compactors (Vibratory Plate) | CVP75 | ✓ | ✓ | ✓ | ✓ | ✓ | ✓ |

HCS65 DEDICATED COUPLER ATTACHMENTS (continued)

| Undercarriage | | Rear Blade | | | Rear Blade (Wide Undercarriage) | | |
|------------------------------|--------|--------------------------|--------------|--------------|---------------------------------|--------------|--------------|
| Boom Type | | Variable Adjustable Boom | | | Variable Adjustable Boom | | |
| Stick Length | | 2.2 m (7'3") | 2.5 m (8'2") | 2.9 m (9'6") | 2.2 m (7'3") | 2.5 m (8'2") | 2.9 m (9'6") |
| Hydraulic Hammers | H110 S | ✓ | ✓ | ✓ | ✓ | ✓ | ✓ |
| | H115 S | ✓ | ✓ | ✓ | ✓ | ✓ | ✓ |
| Compactors (Vibratory Plate) | CVP75 | ✓ | ✓ | ✓ | ✓ | ✓ | ✓ |

(continued on next page)

M319 Wheeled Excavator Specifications

Attachments Offering Guide – Europe (continued)

Not all Attachments are available in all regions. Consult your Cat dealer for configurations available in your region. Configurations calculated with wide axle width 2.5 m (8'2").

Match

* Working range front only

No Match

Some attachments require more hydraulic flow and are best suited with a machine that has HP2 circuits and a tiltrotator with a high flow swivel. Check the hydraulic capability of your machine and tiltrotator and the requirements of your attachment to ensure a proper match.

TRS14 (PIN-ON TOP/S60 BOTTOM) ATTACHMENTS

| Undercarriage | | Rear Outrigger/Front Blade | | | Rear Outrigger/Front Outrigger | | |
|---------------------------------|-----------|----------------------------|--------------|--------------|--------------------------------|--------------|--------------|
| Boom Type | | Variable Adjustable Boom | | | Variable Adjustable Boom | | |
| Stick Length | | 2.2 m (7'3") | 2.5 m (8'2") | 2.9 m (9'6") | 2.2 m (7'3") | 2.5 m (8'2") | 2.9 m (9'6") |
| Hydraulic Hammers | H110 GC S | | ✓ | | | ✓ | |
| | H110 S | | ✓ | | | ✓ | |
| Demolition and Sorting Grapples | G212 GC | | ✓ | ✓ | | ✓ | ✓ |
| Compactors (Vibratory Plate) | CVP75 | ✓ | ✓ | ✓ | ✓ | ✓ | ✓ |

TRS14 (PIN-ON TOP/S60 BOTTOM) ATTACHMENTS (continued)

| Undercarriage | | Rear Blade/Front Outrigger (Wide Undercarriage) | | | Rear Blade/Front Outrigger | | |
|---------------------------------|-----------|--|--------------|--------------|----------------------------|--------------|--------------|
| Boom Type | | Variable Adjustable Boom | | | Variable Adjustable Boom | | |
| Stick Length | | 2.2 m (7'3") | 2.5 m (8'2") | 2.9 m (9'6") | 2.2 m (7'3") | 2.5 m (8'2") | 2.9 m (9'6") |
| Hydraulic Hammers | H110 GC S | | ✓ | | | ✓ | |
| | H110 S | | ✓ | | | ✓ | |
| Demolition and Sorting Grapples | G212 GC | | ✓ | ✓ | | ✓ | ✓ |
| Compactors (Vibratory Plate) | CVP75 | ✓ | ✓ | ✓ | ✓ | ✓ | ✓ |

TRS14 (PIN-ON TOP/S60 BOTTOM) ATTACHMENTS (continued)

| Undercarriage | | Rear Blade | | | Rear Blade (Wide Undercarriage) | | |
|---------------------------------|-----------|--------------------------|--------------|--------------|---------------------------------|--------------|--------------|
| Boom Type | | Variable Adjustable Boom | | | Variable Adjustable Boom | | |
| Stick Length | | 2.2 m (7'3") | 2.5 m (8'2") | 2.9 m (9'6") | 2.2 m (7'3") | 2.5 m (8'2") | 2.9 m (9'6") |
| Hydraulic Hammers | H110 GC S | | ✓ | | | ✓ | |
| | H110 S | | ✓ | | | ✓ | |
| Demolition and Sorting Grapples | G212 GC | | ✓ | ✓* | | ✓ | ✓ |
| Compactors (Vibratory Plate) | CVP75 | ✓ | ✓ | ✓ | ✓ | ✓ | ✓ |

NOTE: Use hammers on tiltrotators less than 10% of working hours per year or maximum 200 hours per year. Refer to your Operation and Maintenance Manual for recommended hydraulic flow requirements.

(continued on next page)

M319 Wheeled Excavator Specifications

Attachments Offering Guide – Europe (continued)

Not all Attachments are available in all regions. Consult your Cat dealer for configurations available in your region. Configurations calculated with wide axle width 2.5 m (8'2").

Match

Some attachments require more hydraulic flow and are best suited with a machine that has HP2 circuits and a tiltrotator with a high flow swivel. Check the hydraulic capability of your machine and tiltrotator and the requirements of your attachment to ensure a proper match.

TRS14 (S60 TOP/S60 BOTTOM) ATTACHMENTS

| Undercarriage | | Rear Outrigger/Front Blade | | Rear Outrigger/Front Outrigger | |
|------------------------------|-------|----------------------------|--------------|--------------------------------|--------------|
| Boom Type | | Variable Adjustable Boom | | Variable Adjustable Boom | |
| Stick Length | | 2.5 m (8'2") | 2.9 m (9'6") | 2.5 m (8'2") | 2.9 m (9'6") |
| Compactors (Vibratory Plate) | CVP75 | ✓ | ✓ | ✓ | ✓ |

TRS14 (S60 TOP/S60 BOTTOM) ATTACHMENTS (continued)

| Undercarriage | | Rear Blade/Front Outrigger (Wide Undercarriage) | | Rear Blade/Front Outrigger | |
|------------------------------|-------|--|--------------|----------------------------|--------------|
| Boom Type | | Variable Adjustable Boom | | Variable Adjustable Boom | |
| Stick Length | | 2.5 m (8'2") | 2.9 m (9'6") | 2.5 m (8'2") | 2.9 m (9'6") |
| Compactors (Vibratory Plate) | CVP75 | ✓ | ✓ | ✓ | ✓ |

TRS14 (S60 TOP/S60 BOTTOM) ATTACHMENTS (continued)

| Undercarriage | | Rear Blade | | Rear Blade (Wide Undercarriage) | |
|------------------------------|-------|--------------------------|--------------|---------------------------------|--------------|
| Boom Type | | Variable Adjustable Boom | | Variable Adjustable Boom | |
| Stick Length | | 2.5 m (8'2") | 2.9 m (9'6") | 2.5 m (8'2") | 2.9 m (9'6") |
| Compactors (Vibratory Plate) | CVP75 | ✓ | ✓ | ✓ | ✓ |

NOTE: Use hammers on tiltrotators less than 10% of working hours per year or maximum 200 hours per year. Refer to your Operation and Maintenance Manual for recommended hydraulic flow requirements.

(continued on next page)

M319 Wheeled Excavator Specifications

Attachments Offering Guide – Europe (continued)

Not all Attachments are available in all regions. Consult your Cat dealer for configurations available in your region. Configurations calculated with wide axle width 2.5 m (8'2").

Match

* Working range front only

No Match

Some attachments require more hydraulic flow and are best suited with a machine that has HP2 circuits and a tiltrotator with a high flow swivel. Check the hydraulic capability of your machine and tiltrotator and the requirements of your attachment to ensure a proper match.

TRS14 (PIN-ON TOP/HCS60 BOTTOM) ATTACHMENTS

| Undercarriage | | Rear Outrigger/Front Blade | | | Rear Outrigger/Front Outrigger | | |
|------------------------------|--------|----------------------------|--------------|--------------|--------------------------------|--------------|--------------|
| Boom Type | | Variable Adjustable Boom | | | Variable Adjustable Boom | | |
| Stick Length | | 2.2 m (7'3") | 2.5 m (8'2") | 2.9 m (9'6") | 2.2 m (7'3") | 2.5 m (8'2") | 2.9 m (9'6") |
| Hydraulic Hammers | H110 S | | ✓ | ✓ | | ✓ | ✓ |
| Compactors (Vibratory Plate) | CVP75 | ✓ | ✓ | ✓ | ✓ | ✓ | ✓ |

TRS14 (PIN-ON TOP/HCS60 BOTTOM) ATTACHMENTS (continued)

| Undercarriage | | Rear Blade/Front Outrigger (Wide Undercarriage) | | | Rear Blade/Front Outrigger | | |
|------------------------------|--------|--|--------------|--------------|----------------------------|--------------|--------------|
| Boom Type | | Variable Adjustable Boom | | | Variable Adjustable Boom | | |
| Stick Length | | 2.2 m (7'3") | 2.5 m (8'2") | 2.9 m (9'6") | 2.2 m (7'3") | 2.5 m (8'2") | 2.9 m (9'6") |
| Hydraulic Hammers | H110 S | | ✓ | ✓ | | ✓ | ✓ |
| Compactors (Vibratory Plate) | CVP75 | ✓ | ✓ | ✓ | ✓ | ✓ | ✓ |

TRS14 (PIN-ON TOP/HCS60 BOTTOM) ATTACHMENTS (continued)

| Undercarriage | | Rear Blade | | | Rear Blade (Wide Undercarriage) | | |
|------------------------------|--------|--------------------------|--------------|--------------|---------------------------------|--------------|--------------|
| Boom Type | | Variable Adjustable Boom | | | Variable Adjustable Boom | | |
| Stick Length | | 2.2 m (7'3") | 2.5 m (8'2") | 2.9 m (9'6") | 2.2 m (7'3") | 2.5 m (8'2") | 2.9 m (9'6") |
| Hydraulic Hammers | H110 S | | ✓ | ✓* | | ✓ | ✓ |
| Compactors (Vibratory Plate) | CVP75 | ✓ | ✓ | ✓ | ✓ | ✓ | ✓ |

NOTE: Use hammers on tiltrotators less than 10% of working hours per year or maximum 200 hours per year. Refer to your Operation and Maintenance Manual for recommended hydraulic flow requirements.

(continued on next page)

M319 Wheeled Excavator Specifications

Attachments Offering Guide – Europe (continued)

Not all Attachments are available in all regions. Consult your Cat dealer for configurations available in your region. Configurations calculated with wide axle width 2.5 m (8'2").

Match

* Working range front only

Some attachments require more hydraulic flow and are best suited with a machine that has HP2 circuits and a tiltrotator with a high flow swivel. Check the hydraulic capability of your machine and tiltrotator and the requirements of your attachment to ensure a proper match.

TRS14 (HCS60 TOP/HCS60 BOTTOM) ATTACHMENTS

| Undercarriage | | Rear Outrigger/Front Blade | | Rear Outrigger/Front Outrigger | |
|------------------------------|-------|----------------------------|--------------|--------------------------------|--------------|
| Boom Type | | Variable Adjustable Boom | | Variable Adjustable Boom | |
| Stick Length | | 2.5 m (8'2") | 2.9 m (9'6") | 2.5 m (8'2") | 2.9 m (9'6") |
| Compactors (Vibratory Plate) | CVP75 | ✓ | ✓ | ✓ | ✓ |

TRS14 (HCS60 TOP/HCS60 BOTTOM) ATTACHMENTS (continued)

| Undercarriage | | Rear Blade/Front Outrigger (Wide Undercarriage) | | Rear Blade/Front Outrigger | |
|------------------------------|-------|--|--------------|----------------------------|--------------|
| Boom Type | | Variable Adjustable Boom | | Variable Adjustable Boom | |
| Stick Length | | 2.5 m (8'2") | 2.9 m (9'6") | 2.5 m (8'2") | 2.9 m (9'6") |
| Compactors (Vibratory Plate) | CVP75 | ✓ | ✓ | ✓ | ✓ |

TRS14 (HCS60 TOP/HCS60 BOTTOM) ATTACHMENTS (continued)

| Undercarriage | | Rear Blade | | Rear Blade (Wide Undercarriage) | |
|------------------------------|-------|--------------------------|--------------|---------------------------------|--------------|
| Boom Type | | Variable Adjustable Boom | | Variable Adjustable Boom | |
| Stick Length | | 2.5 m (8'2") | 2.9 m (9'6") | 2.5 m (8'2") | 2.9 m (9'6") |
| Compactors (Vibratory Plate) | CVP75 | ✓ | ✓* | ✓ | ✓ |

NOTE: Use hammers on tiltrotators less than 10% of working hours per year or maximum 200 hours per year. Refer to your Operation and Maintenance Manual for recommended hydraulic flow requirements.

(continued on next page)

M319 Wheeled Excavator Specifications

Attachments Offering Guide – Europe (continued)

Not all Attachments are available in all regions. Consult your Cat dealer for configurations available in your region. Configurations calculated with wide axle width 2.5 m (8'2").

Match

* Working range front only

Some attachments require more hydraulic flow and are best suited with a machine that has HP2 circuits and a tiltrotator with a high flow swivel. Check the hydraulic capability of your machine and tiltrotator and the requirements of your attachment to ensure a proper match.

TRS14 (PIN-ON TOP/HCS65 BOTTOM) ATTACHMENTS

| Undercarriage | | Rear Outrigger/Front Blade | | | Rear Outrigger/Front Outrigger | | |
|------------------------------|-------|----------------------------|--------------|--------------|--------------------------------|--------------|--------------|
| Boom Type | | Variable Adjustable Boom | | | Variable Adjustable Boom | | |
| Stick Length | | 2.2 m (7'3") | 2.5 m (8'2") | 2.9 m (9'6") | 2.2 m (7'3") | 2.5 m (8'2") | 2.9 m (9'6") |
| Compactors (Vibratory Plate) | CVP75 | ✓ | ✓ | ✓ | ✓ | ✓ | ✓ |

TRS14 (PIN-ON TOP/HCS65 BOTTOM) ATTACHMENTS (continued)

| Undercarriage | | Rear Blade/Front Outrigger (Wide Undercarriage) | | | Rear Blade/Front Outrigger | | |
|------------------------------|-------|--|--------------|--------------|----------------------------|--------------|--------------|
| Boom Type | | Variable Adjustable Boom | | | Variable Adjustable Boom | | |
| Stick Length | | 2.2 m (7'3") | 2.5 m (8'2") | 2.9 m (9'6") | 2.2 m (7'3") | 2.5 m (8'2") | 2.9 m (9'6") |
| Compactors (Vibratory Plate) | CVP75 | ✓ | ✓ | ✓ | ✓ | ✓ | ✓ |

TRS14 (PIN-ON TOP/HCS65 BOTTOM) ATTACHMENTS (continued)

| Undercarriage | | Rear Blade | | | Rear Blade (Wide Undercarriage) | | |
|------------------------------|-------|--------------------------|--------------|--------------|---------------------------------|--------------|--------------|
| Boom Type | | Variable Adjustable Boom | | | Variable Adjustable Boom | | |
| Stick Length | | 2.2 m (7'3") | 2.5 m (8'2") | 2.9 m (9'6") | 2.2 m (7'3") | 2.5 m (8'2") | 2.9 m (9'6") |
| Compactors (Vibratory Plate) | CVP75 | ✓ | ✓ | ✓* | ✓ | ✓ | ✓ |

NOTE: Use hammers on tiltrotators less than 10% of working hours per year or maximum 200 hours per year. Refer to your Operation and Maintenance Manual for recommended hydraulic flow requirements.

M319 Wheeled Excavator Specifications

Attachments Offering Guide – North America

Not all Attachments are available in all regions. Consult your Cat dealer for configurations available in your region. Configurations calculated with wide axle width 2.5 m (8'2").

Match
 No Match
 1800 kg/m³ (3,000 lb/yd³)
 1200 kg/m³ (2,000 lb/yd³)

PIN-ON ATTACHMENTS

| Undercarriage | | Rear Outrigger/ Front Blade | | Rear Outrigger/ Front Outrigger | | Rear Blade/ Front Outrigger (Wide Undercarriage) | |
|------------------------------------|----------------|--------------------------------|--------------|------------------------------------|--------------|--|--------------|
| | | Variable Adjustable Boom | | Variable Adjustable Boom | | Variable Adjustable Boom | |
| Boom Type | | 2.5 m (8'2") | 2.9 m (9'6") | 2.5 m (8'2") | 2.9 m (9'6") | 2.5 m (8'2") | 2.9 m (9'6") |
| Stick Length | | 2.5 m (8'2") | 2.9 m (9'6") | 2.5 m (8'2") | 2.9 m (9'6") | 2.5 m (8'2") | 2.9 m (9'6") |
| Hydraulic Hammers | H110 S | ✓ | ✓ | ✓ | ✓ | ✓ | ✓ |
| | H115 GC | ✓ | ✓ | ✓ | ✓ | ✓ | ✓ |
| | H115 GC S | ✓ | ✓ | ✓ | ✓ | ✓ | ✓ |
| | H115 S | ✓ | ✓ | ✓ | ✓ | ✓ | ✓ |
| | H120 S | ✓ | ✓ | ✓ | ✓ | ✓ | ✓ |
| Demolition and Sorting Grapples | G314 | ✓ | ✓ | ✓ | ✓ | ✓ | ✓ |
| Mobile Scrap and Demolition Shears | S3015 Flat Top | ✓ | | ✓ | | ✓ | |
| Compactors (Vibratory Plate) | CVP75 | ✓ | ✓ | ✓ | ✓ | ✓ | ✓ |
| Orange Peel Grapples | GSH420-500 | ● | ● | ● | ● | ● | ● |
| | GSH420-600 | ● | ● | ● | ● | ● | ● |
| | GSH420-750 | ● | ○ | ● | ○ | ● | ○ |
| | GSH520-500 | ● | ● | ● | ● | ● | ● |
| | GSH520-600 | ● | ○ | ● | ○ | ● | ○ |
| | GSH520-750 | ● | | ● | | ● | |

(continued on next page)

M319 Wheeled Excavator Specifications

Attachments Offering Guide – North America *(continued)*

Not all Attachments are available in all regions. Consult your Cat dealer for configurations available in your region. Configurations calculated with wide axle width 2.5 m (8'2").

Match
 No Match
 1800 kg/m³ (3,000 lb/yd³)
 1200 kg/m³ (2,000 lb/yd³)

PIN-ON ATTACHMENTS *(continued)*

| Undercarriage | | Rear Blade/Front Outrigger | |
|------------------------------------|----------------|----------------------------|--------------|
| Boom Type | | Variable Adjustable Boom | |
| Stick Length | | 2.5 m (8'2") | 2.9 m (9'6") |
| Hydraulic Hammers | H110 S | ✓ | ✓ |
| | H115 GC | ✓ | ✓ |
| | H115 GC S | ✓ | ✓ |
| | H115 S | ✓ | ✓ |
| | H120 S | ✓ | ✓ |
| Demolition and Sorting Grapples | G314 | ✓ | ✓ |
| Mobile Scrap and Demolition Shears | S3015 Flat Top | ✓ | |
| Compactors (Vibratory Plate) | CVP75 | ✓ | ✓ |
| Orange Peel Grapples | GSH420-500 | ● | ● |
| | GSH420-600 | ● | ● |
| | GSH420-750 | ● | ○ |
| | GSH520-500 | ● | ● |
| | GSH520-600 | ● | ○ |
| | GSH520-750 | ● | |

(continued on next page)

M319 Wheeled Excavator Specifications

Attachments Offering Guide – North America *(continued)*

Not all Attachments are available in all regions. Consult your Cat dealer for configurations available in your region. Configurations calculated with wide axle width 2.5 m (8'2").

Match

CAT PIN GRABBER COUPLER ATTACHMENTS

| Undercarriage | | Rear Outrigger/Front Blade | | Rear Outrigger/Front Outrigger | |
|------------------------------|-----------|----------------------------|--------------|--------------------------------|--------------|
| Boom Type | | Variable Adjustable Boom | | Variable Adjustable Boom | |
| Stick Length | | 2.5 m (8'2") | 2.9 m (9'6") | 2.5 m (8'2") | 2.9 m (9'6") |
| Hydraulic Hammers | H110 S | ✓ | ✓ | ✓ | ✓ |
| | H115 GC | ✓ | ✓ | ✓ | ✓ |
| | H115 GC S | ✓ | ✓ | ✓ | ✓ |
| | H115 S | ✓ | ✓ | ✓ | ✓ |
| Compactors (Vibratory Plate) | CVP75 | ✓ | ✓ | ✓ | ✓ |

CAT PIN GRABBER COUPLER ATTACHMENTS *(continued)*

| Undercarriage | | Rear Blade/Front Outrigger (Wide Undercarriage) | | Rear Blade/Front Outrigger | |
|------------------------------|-----------|--|--------------|----------------------------|--------------|
| Boom Type | | Variable Adjustable Boom | | Variable Adjustable Boom | |
| Stick Length | | 2.5 m (8'2") | 2.9 m (9'6") | 2.5 m (8'2") | 2.9 m (9'6") |
| Hydraulic Hammers | H110 S | ✓ | ✓ | ✓ | ✓ |
| | H115 GC | ✓ | ✓ | ✓ | ✓ |
| | H115 GC S | ✓ | ✓ | ✓ | ✓ |
| | H115 S | ✓ | ✓ | ✓ | ✓ |
| Compactors (Vibratory Plate) | CVP75 | ✓ | ✓ | ✓ | ✓ |

(continued on next page)

M319 Wheeled Excavator Specifications

Attachments Offering Guide – North America *(continued)*

Not all Attachments are available in all regions. Consult your Cat dealer for configurations available in your region. Configurations calculated with wide axle width 2.5 m (8'2").

Match

S60 DEDICATED COUPLER ATTACHMENTS

| Undercarriage | | Rear Outrigger/Front Blade | | Rear Outrigger/Front Outrigger | |
|------------------------------|-----------|----------------------------|--------------|--------------------------------|--------------|
| Boom Type | | Variable Adjustable Boom | | Variable Adjustable Boom | |
| Stick Length | | 2.5 m (8'2") | 2.9 m (9'6") | 2.5 m (8'2") | 2.9 m (9'6") |
| Hydraulic Hammers | H110 S | ✓ | ✓ | ✓ | ✓ |
| | H115 GC | ✓ | ✓ | ✓ | ✓ |
| | H115 GC S | ✓ | ✓ | ✓ | ✓ |
| | H115 S | ✓ | ✓ | ✓ | ✓ |
| Compactors (Vibratory Plate) | CVP75 | ✓ | ✓ | ✓ | ✓ |

S60 DEDICATED COUPLER ATTACHMENTS *(continued)*

| Undercarriage | | Rear Blade/Front Outrigger (Wide Undercarriage) | | Rear Blade/Front Outrigger | |
|------------------------------|-----------|--|--------------|----------------------------|--------------|
| Boom Type | | Variable Adjustable Boom | | Variable Adjustable Boom | |
| Stick Length | | 2.5 m (8'2") | 2.9 m (9'6") | 2.5 m (8'2") | 2.9 m (9'6") |
| Hydraulic Hammers | H110 S | ✓ | ✓ | ✓ | ✓ |
| | H115 GC | ✓ | ✓ | ✓ | ✓ |
| | H115 GC S | ✓ | ✓ | ✓ | ✓ |
| | H115 S | ✓ | ✓ | ✓ | ✓ |
| Compactors (Vibratory Plate) | CVP75 | ✓ | ✓ | ✓ | ✓ |

S60 DEDICATED COUPLER ATTACHMENTS *(continued)*

| Undercarriage | | Rear Blade | | Rear Blade (Wide Undercarriage) | |
|------------------------------|-----------|--------------------------|--------------|---------------------------------|--------------|
| Boom Type | | Variable Adjustable Boom | | Variable Adjustable Boom | |
| Stick Length | | 2.5 m (8'2") | 2.9 m (9'6") | 2.5 m (8'2") | 2.9 m (9'6") |
| Hydraulic Hammers | H110 S | ✓ | ✓ | ✓ | ✓ |
| | H115 GC | ✓ | ✓ | ✓ | ✓ |
| | H115 GC S | ✓ | ✓ | ✓ | ✓ |
| | H115 S | ✓ | ✓ | ✓ | ✓ |
| Compactors (Vibratory Plate) | CVP75 | ✓ | ✓ | ✓ | ✓ |

(continued on next page)

M319 Wheeled Excavator Specifications

Attachments Offering Guide – North America *(continued)*

Not all Attachments are available in all regions. Consult your Cat dealer for configurations available in your region. Configurations calculated with wide axle width 2.5 m (8'2").

Match

HCS60 DEDICATED COUPLER ATTACHMENTS

| Undercarriage | | Rear Outrigger/Front Blade | | Rear Outrigger/Front Outrigger | |
|------------------------------|--------|----------------------------|--------------|--------------------------------|--------------|
| Boom Type | | Variable Adjustable Boom | | Variable Adjustable Boom | |
| Stick Length | | 2.5 m (8'2") | 2.9 m (9'6") | 2.5 m (8'2") | 2.9 m (9'6") |
| Hydraulic Hammers | H110 S | ✓ | ✓ | ✓ | ✓ |
| | H115 S | ✓ | ✓ | ✓ | ✓ |
| Compactors (Vibratory Plate) | CVP75 | ✓ | ✓ | ✓ | ✓ |

HCS60 DEDICATED COUPLER ATTACHMENTS *(continued)*

| Undercarriage | | Rear Blade/Front Outrigger (Wide Undercarriage) | | Rear Blade/Front Outrigger | |
|------------------------------|--------|--|--------------|----------------------------|--------------|
| Boom Type | | Variable Adjustable Boom | | Variable Adjustable Boom | |
| Stick Length | | 2.5 m (8'2") | 2.9 m (9'6") | 2.5 m (8'2") | 2.9 m (9'6") |
| Hydraulic Hammers | H110 S | ✓ | ✓ | ✓ | ✓ |
| | H115 S | ✓ | ✓ | ✓ | ✓ |
| Compactors (Vibratory Plate) | CVP75 | ✓ | ✓ | ✓ | ✓ |

HCS60 DEDICATED COUPLER ATTACHMENTS *(continued)*

| Undercarriage | | Rear Blade | | Rear Blade (Wide Undercarriage) | |
|------------------------------|--------|--------------------------|--------------|---------------------------------|--------------|
| Boom Type | | Variable Adjustable Boom | | Variable Adjustable Boom | |
| Stick Length | | 2.5 m (8'2") | 2.9 m (9'6") | 2.5 m (8'2") | 2.9 m (9'6") |
| Hydraulic Hammers | H110 S | ✓ | ✓ | ✓ | ✓ |
| | H115 S | ✓ | ✓ | ✓ | ✓ |
| Compactors (Vibratory Plate) | CVP75 | ✓ | ✓ | ✓ | ✓ |

(continued on next page)

M319 Wheeled Excavator Specifications

Attachments Offering Guide – North America *(continued)*

Not all Attachments are available in all regions. Consult your Cat dealer for configurations available in your region. Configurations calculated with wide axle width 2.5 m (8'2").

Match

HCS65 DEDICATED COUPLER ATTACHMENTS

| Undercarriage | | Rear Outrigger/Front Blade | | Rear Outrigger/Front Outrigger | |
|------------------------------|--------|----------------------------|--------------|--------------------------------|--------------|
| Boom Type | | Variable Adjustable Boom | | Variable Adjustable Boom | |
| Stick Length | | 2.5 m (8'2") | 2.9 m (9'6") | 2.5 m (8'2") | 2.9 m (9'6") |
| Hydraulic Hammers | H110 S | ✓ | ✓ | ✓ | ✓ |
| | H115 S | ✓ | ✓ | ✓ | ✓ |
| Compactors (Vibratory Plate) | CVP75 | ✓ | ✓ | ✓ | ✓ |

HCS65 DEDICATED COUPLER ATTACHMENTS *(continued)*

| Undercarriage | | Rear Blade/Front Outrigger (Wide Undercarriage) | | Rear Blade/Front Outrigger | |
|------------------------------|--------|--|--------------|----------------------------|--------------|
| Boom Type | | Variable Adjustable Boom | | Variable Adjustable Boom | |
| Stick Length | | 2.5 m (8'2") | 2.9 m (9'6") | 2.5 m (8'2") | 2.9 m (9'6") |
| Hydraulic Hammers | H110 S | ✓ | ✓ | ✓ | ✓ |
| | H115 S | ✓ | ✓ | ✓ | ✓ |
| Compactors (Vibratory Plate) | CVP75 | ✓ | ✓ | ✓ | ✓ |

HCS65 DEDICATED COUPLER ATTACHMENTS *(continued)*

| Undercarriage | | Rear Blade | | Rear Blade (Wide Undercarriage) | |
|------------------------------|--------|--------------------------|--------------|---------------------------------|--------------|
| Boom Type | | Variable Adjustable Boom | | Variable Adjustable Boom | |
| Stick Length | | 2.5 m (8'2") | 2.9 m (9'6") | 2.5 m (8'2") | 2.9 m (9'6") |
| Hydraulic Hammers | H110 S | ✓ | ✓ | ✓ | ✓ |
| | H115 S | ✓ | ✓ | ✓ | ✓ |
| Compactors (Vibratory Plate) | CVP75 | ✓ | ✓ | ✓ | ✓ |

(continued on next page)

M319 Wheeled Excavator Specifications

Attachments Offering Guide – North America *(continued)*

Not all Attachments are available in all regions. Consult your Cat dealer for configurations available in your region. Configurations calculated with wide axle width 2.5 m (8'2").

Match

No Match

Some attachments require more hydraulic flow and are best suited with a machine that has HP2 circuits and a tiltrotator with a high flow swivel. Check the hydraulic capability of your machine and tiltrotator and the requirements of your attachment to ensure a proper match.

TRS14 (PIN-ON TOP/S60 BOTTOM) ATTACHMENTS

| Undercarriage | | Rear Outrigger/Front Blade | | Rear Outrigger/Front Outrigger | |
|------------------------------|-----------|----------------------------|--------------|--------------------------------|--------------|
| Boom Type | | Variable Adjustable Boom | | Variable Adjustable Boom | |
| Stick Length | | 2.5 m (8'2") | 2.9 m (9'6") | 2.5 m (8'2") | 2.9 m (9'6") |
| Hydraulic Hammers | H110 GC S | ✓ | | ✓ | |
| | H110 S | ✓ | | ✓ | |
| Compactors (Vibratory Plate) | CVP75 | ✓ | ✓ | ✓ | ✓ |

TRS14 (PIN-ON TOP/S60 BOTTOM) ATTACHMENTS *(continued)*

| Undercarriage | | Rear Blade/Front Outrigger (Wide Undercarriage) | | Rear Blade/Front Outrigger | |
|------------------------------|-----------|--|--------------|----------------------------|--------------|
| Boom Type | | Variable Adjustable Boom | | Variable Adjustable Boom | |
| Stick Length | | 2.5 m (8'2") | 2.9 m (9'6") | 2.5 m (8'2") | 2.9 m (9'6") |
| Hydraulic Hammers | H110 GC S | ✓ | | ✓ | |
| | H110 S | ✓ | | ✓ | |
| Compactors (Vibratory Plate) | CVP75 | ✓ | ✓ | ✓ | ✓ |

TRS14 (PIN-ON TOP/S60 BOTTOM) ATTACHMENTS *(continued)*

| Undercarriage | | Rear Blade | | Rear Blade (Wide Undercarriage) | |
|------------------------------|-----------|--------------------------|--------------|---------------------------------|--------------|
| Boom Type | | Variable Adjustable Boom | | Variable Adjustable Boom | |
| Stick Length | | 2.5 m (8'2") | 2.9 m (9'6") | 2.5 m (8'2") | 2.9 m (9'6") |
| Hydraulic Hammers | H110 GC S | ✓ | | ✓ | |
| | H110 S | ✓ | | ✓ | |
| Compactors (Vibratory Plate) | CVP75 | ✓ | ✓ | ✓ | ✓ |

NOTE: Use hammers on tiltrotators less than 10% of working hours per year or maximum 200 hours per year. Refer to your Operation and Maintenance Manual for recommended hydraulic flow requirements.

(continued on next page)

M319 Wheeled Excavator Specifications

Attachments Offering Guide – North America *(continued)*

Not all Attachments are available in all regions. Consult your Cat dealer for configurations available in your region. Configurations calculated with wide axle width 2.5 m (8'2").

Match

Some attachments require more hydraulic flow and are best suited with a machine that has HP2 circuits and a tiltrotator with a high flow swivel. Check the hydraulic capability of your machine and tiltrotator and the requirements of your attachment to ensure a proper match.

TRS14 (S60 TOP/S60 BOTTOM) ATTACHMENTS

| Undercarriage | | Rear Outrigger/Front Blade | | Rear Outrigger/Front Outrigger | |
|------------------------------|-------|----------------------------|--------------|--------------------------------|--------------|
| Boom Type | | Variable Adjustable Boom | | Variable Adjustable Boom | |
| Stick Length | | 2.5 m (8'2") | 2.9 m (9'6") | 2.5 m (8'2") | 2.9 m (9'6") |
| Compactors (Vibratory Plate) | CVP75 | ✓ | ✓ | ✓ | ✓ |

TRS14 (S60 TOP/S60 BOTTOM) ATTACHMENTS *(continued)*

| Undercarriage | | Rear Blade/Front Outrigger (Wide Undercarriage) | | Rear Blade/Front Outrigger | |
|------------------------------|-------|--|--------------|----------------------------|--------------|
| Boom Type | | Variable Adjustable Boom | | Variable Adjustable Boom | |
| Stick Length | | 2.5 m (8'2") | 2.9 m (9'6") | 2.5 m (8'2") | 2.9 m (9'6") |
| Compactors (Vibratory Plate) | CVP75 | ✓ | ✓ | ✓ | ✓ |

TRS14 (S60 TOP/S60 BOTTOM) ATTACHMENTS *(continued)*

| Undercarriage | | Rear Blade | | Rear Blade (Wide Undercarriage) | |
|------------------------------|-------|--------------------------|--------------|---------------------------------|--------------|
| Boom Type | | Variable Adjustable Boom | | Variable Adjustable Boom | |
| Stick Length | | 2.5 m (8'2") | 2.9 m (9'6") | 2.5 m (8'2") | 2.9 m (9'6") |
| Compactors (Vibratory Plate) | CVP75 | ✓ | ✓ | ✓ | ✓ |

NOTE: Use hammers on tiltrotators less than 10% of working hours per year or maximum 200 hours per year. Refer to your Operation and Maintenance Manual for recommended hydraulic flow requirements.

(continued on next page)

M319 Wheeled Excavator Specifications

Attachments Offering Guide – North America (continued)

Not all Attachments are available in all regions. Consult your Cat dealer for configurations available in your region. Configurations calculated with wide axle width 2.5 m (8'2").

Match

* Working range front only

Some attachments require more hydraulic flow and are best suited with a machine that has HP2 circuits and a tiltrotator with a high flow swivel. Check the hydraulic capability of your machine and tiltrotator and the requirements of your attachment to ensure a proper match.

TRS14 (PIN-ON TOP/HCS60 BOTTOM) ATTACHMENTS

| Undercarriage | | Rear Outrigger/Front Blade | | Rear Outrigger/Front Outrigger | |
|-------------------|--------|----------------------------|--------------|--------------------------------|--------------|
| Boom Type | | Variable Adjustable Boom | | Variable Adjustable Boom | |
| Stick Length | | 2.5 m (8'2") | 2.9 m (9'6") | 2.5 m (8'2") | 2.9 m (9'6") |
| Hydraulic Hammers | H110 S | ✓ | ✓ | ✓ | ✓ |

TRS14 (PIN-ON TOP/HCS60 BOTTOM) ATTACHMENTS (continued)

| Undercarriage | | Rear Blade/Front Outrigger (Wide Undercarriage) | | Rear Blade/Front Outrigger | |
|-------------------|--------|--|--------------|----------------------------|--------------|
| Boom Type | | Variable Adjustable Boom | | Variable Adjustable Boom | |
| Stick Length | | 2.5 m (8'2") | 2.9 m (9'6") | 2.5 m (8'2") | 2.9 m (9'6") |
| Hydraulic Hammers | H110 S | ✓ | ✓ | ✓ | ✓ |

TRS14 (PIN-ON TOP/HCS60 BOTTOM) ATTACHMENTS (continued)

| Undercarriage | | Rear Blade | | Rear Blade (Wide Undercarriage) | |
|-------------------|--------|--------------------------|--------------|---------------------------------|--------------|
| Boom Type | | Variable Adjustable Boom | | Variable Adjustable Boom | |
| Stick Length | | 2.5 m (8'2") | 2.9 m (9'6") | 2.5 m (8'2") | 2.9 m (9'6") |
| Hydraulic Hammers | H110 S | ✓ | ✓* | ✓ | ✓ |

NOTE: Use hammers on tiltrotators less than 10% of working hours per year or maximum 200 hours per year. Refer to your Operation and Maintenance Manual for recommended hydraulic flow requirements.

(continued on next page)

M319 Wheeled Excavator Specifications

Attachments Offering Guide – North America *(continued)*

Not all Attachments are available in all regions. Consult your Cat dealer for configurations available in your region. Configurations calculated with wide axle width 2.5 m (8'2").

Match

* Working range front only

Some attachments require more hydraulic flow and are best suited with a machine that has HP2 circuits and a tiltrotator with a high flow swivel. Check the hydraulic capability of your machine and tiltrotator and the requirements of your attachment to ensure a proper match.

TRS14 (HCS60 TOP/HCS60 BOTTOM) ATTACHMENTS

| Undercarriage | | Rear Outrigger/Front Blade | | Rear Outrigger/Front Outrigger | |
|------------------------------|-------|----------------------------|--------------|--------------------------------|--------------|
| Boom Type | | Variable Adjustable Boom | | Variable Adjustable Boom | |
| Stick Length | | 2.5 m (8'2") | 2.9 m (9'6") | 2.5 m (8'2") | 2.9 m (9'6") |
| Compactors (Vibratory Plate) | CVP75 | ✓ | ✓ | ✓ | ✓ |

TRS14 (HCS60 TOP/HCS60 BOTTOM) ATTACHMENTS *(continued)*

| Undercarriage | | Rear Blade/Front Outrigger (Wide Undercarriage) | | Rear Blade/Front Outrigger | |
|------------------------------|-------|--|--------------|----------------------------|--------------|
| Boom Type | | Variable Adjustable Boom | | Variable Adjustable Boom | |
| Stick Length | | 2.5 m (8'2") | 2.9 m (9'6") | 2.5 m (8'2") | 2.9 m (9'6") |
| Compactors (Vibratory Plate) | CVP75 | ✓ | ✓ | ✓ | ✓ |

TRS14 (HCS60 TOP/HCS60 BOTTOM) ATTACHMENTS *(continued)*

| Undercarriage | | Rear Blade | | Rear Blade (Wide Undercarriage) | |
|------------------------------|-------|--------------------------|--------------|---------------------------------|--------------|
| Boom Type | | Variable Adjustable Boom | | Variable Adjustable Boom | |
| Stick Length | | 2.5 m (8'2") | 2.9 m (9'6") | 2.5 m (8'2") | 2.9 m (9'6") |
| Compactors (Vibratory Plate) | CVP75 | ✓ | ✓* | ✓ | ✓ |

NOTE: Use hammers on tiltrotators less than 10% of working hours per year or maximum 200 hours per year. Refer to your Operation and Maintenance Manual for recommended hydraulic flow requirements.

(continued on next page)

M319 Wheeled Excavator Specifications

Attachments Offering Guide – North America *(continued)*

Not all Attachments are available in all regions. Consult your Cat dealer for configurations available in your region. Configurations calculated with wide axle width 2.5 m (8'2").

Match

* Working range front only

Some attachments require more hydraulic flow and are best suited with a machine that has HP2 circuits and a tiltrotator with a high flow swivel. Check the hydraulic capability of your machine and tiltrotator and the requirements of your attachment to ensure a proper match.

TRS14 (PIN-ON TOP/HCS65 BOTTOM) ATTACHMENTS

| Undercarriage | | Rear Outrigger/Front Blade | | Rear Outrigger/Front Outrigger | |
|------------------------------|-------|----------------------------|--------------|--------------------------------|--------------|
| Boom Type | | Variable Adjustable Boom | | Variable Adjustable Boom | |
| Stick Length | | 2.5 m (8'2") | 2.9 m (9'6") | 2.5 m (8'2") | 2.9 m (9'6") |
| Compactors (Vibratory Plate) | CVP75 | ✓ | ✓ | ✓ | ✓ |

TRS14 (PIN-ON TOP/HCS65 BOTTOM) ATTACHMENTS *(continued)*

| Undercarriage | | Rear Blade/Front Outrigger (Wide Undercarriage) | | Rear Blade/Front Outrigger | |
|------------------------------|-------|--|--------------|----------------------------|--------------|
| Boom Type | | Variable Adjustable Boom | | Variable Adjustable Boom | |
| Stick Length | | 2.5 m (8'2") | 2.9 m (9'6") | 2.5 m (8'2") | 2.9 m (9'6") |
| Compactors (Vibratory Plate) | CVP75 | ✓ | ✓ | ✓ | ✓ |

TRS14 (PIN-ON TOP/HCS65 BOTTOM) ATTACHMENTS *(continued)*

| Undercarriage | | Rear Blade | | Rear Blade (Wide Undercarriage) | |
|------------------------------|-------|--------------------------|--------------|---------------------------------|--------------|
| Boom Type | | Variable Adjustable Boom | | Variable Adjustable Boom | |
| Stick Length | | 2.5 m (8'2") | 2.9 m (9'6") | 2.5 m (8'2") | 2.9 m (9'6") |
| Compactors (Vibratory Plate) | CVP75 | ✓ | ✓* | ✓ | ✓ |

NOTE: Use hammers on tiltrotators less than 10% of working hours per year or maximum 200 hours per year. Refer to your Operation and Maintenance Manual for recommended hydraulic flow requirements.

M319 Standard and Optional Equipment

Standard and Optional Equipment

Standard and optional equipment may vary. Consult your Cat dealer for details.

| | Standard | Optional | | Standard | Optional |
|--|----------|----------|---|----------|----------|
| BOOM, STICKS AND LINKAGES | | | HYDRAULIC SYSTEM | | |
| 5.2 m (17'1") Variable Adjustable boom | ✓ | | Boom, stick and bucket drift reduction valves | ✓ | |
| 2.9 m (9'6") stick | | ✓ | Boom/stick lowering check valves | | ✓ |
| 2.5 m (8'2") stick | | ✓ | Overload warning | ✓ | |
| 2.2 m (7'3") stick ⁽¹⁾ | | ✓ | Electronic main control valve | ✓ | |
| Bucket linkage, 316-family with lifting eye | | ✓ | Automatic hydraulic oil warm up | ✓ | |
| Bucket linkage, 316-family without lifting eye | | ✓ | Element type main hydraulic filter | ✓ | |
| ELECTRICAL SYSTEM | | | One-slider joysticks | ✓ | |
| LED lights on chassis (left-hand, right-hand) and counterweight | ✓ | | Two-slider joysticks | | ✓ |
| Programmable time-delay LED working lights | ✓ | | Advanced Tool Control (one/two way high-pressure flow with drift reduction) | ✓ | |
| Roading and indicator lights, front and rear | ✓ | | Second high pressure auxiliary circuit (one/two way high-pressure flow) | | ✓ |
| Maintenance free batteries | ✓ | | Medium pressure auxiliary circuit (one/two way medium-pressure flow) | | ✓ |
| Centralized electrical disconnect switch | ✓ | | Heavy lift mode | ✓ | |
| Electrical refueling pump | | ✓ | Quick coupler circuit for Cat pin grabber and CW-dedicated coupler | ✓ | |
| ENGINE | | | SmartBoom™ | | ✓ |
| Cat C4.4 Twin Turbo diesel engine – meets U.S. EPA Tier 4 Final and EU Stage V emission standards. | ✓ | | Ride control | | ✓ |
| Power mode selector | ✓ | | Cat tiltrotator support | | ✓ |
| One-touch low idle with automatic engine speed control | ✓ | | Joystick steering | | ✓ |
| Automatic engine idle shutdown | ✓ | | Separate dedicated swing pump | ✓ | |
| 52°C (125°F) high-ambient cooling capacity | ✓ | | Automatic swing brake | ✓ | |
| Cold starting capability for –18°C (0°F) | ✓ | | Cat BIO HYDO™ Advanced biodegradable hydraulic oil | | ✓ |
| Double element air filter with integrated precleaner | ✓ | | Adjustable hydraulic aggressiveness | ✓ | |
| Electric fuel priming pump | ✓ | | Pattern changer | ✓ | |
| On-demand electric cooling fans | ✓ | | | | |

(continued on next page)

⁽¹⁾Available in Europe only.

M319 Standard and Optional Equipment

Standard and Optional Equipment (continued)

Standard and optional equipment may vary. Consult your Cat dealer for details.

| | Standard | Optional | | Standard | Optional |
|--|----------|----------|---|----------|------------------|
| SAFETY AND SECURITY | | | UNDERCARRIAGE AND STRUCTURES | | |
| Rear and right-side-view cameras | ✓ | | All wheel drive | ✓ | |
| 360° visibility | | ✓ | Automatic brake/axle lock | ✓ | |
| Wide angle mirrors | ✓ | | Creeper speed | ✓ | |
| Heated and remotely adjustable mirrors | | ✓ | Electronic swing and travel lock | ✓ | |
| Travel alarm | | ✓ | Heavy-duty axles, advanced disc brake system and travel motor, adjustable braking force | ✓ | |
| Signal/warning horn | | ✓ | Oscillating front axle, lockable, with remote greasing point | ✓ | |
| Inspection Lighting | | ✓ | 10.00-20 16 PR, dual tires | | ✓ |
| Rotating beacon on cab and chassis | | ✓ | 11.00-20 16 PR, dual tires | | ✓ |
| Cat Asset tracker | | ✓ | 315/70R22.5, no gap dual tires | | ✓ |
| Neutral lever (lock out) for all controls | ✓ | | 445/70R 19.5, single tires | | ✓ |
| Ground-level accessible secondary engine shutoff switch in cab | ✓ | | Steps with tool box in undercarriage (left and right) | ✓ | |
| Bluetooth® receiver | ✓ | | Two-piece drive shaft | ✓ | |
| Anti-skid plate and countersunk bolts on service platform | ✓ | | Two speed hydrostatic transmission | ✓ | |
| SERVICE AND MAINTENANCE | | | Rear blade undercarriage | | ✓ ⁽¹⁾ |
| Scheduled Oil Sampling (S·O·S SM) ports | ✓ | | Rear blade undercarriage wide axle gauge | | ✓ ⁽¹⁾ |
| Automatic lubrication system for implement and swing system | | ✓ | Rear blade/front outrigger undercarriage | | ✓ |
| TECHNOLOGY | | | Rear blade/front outrigger undercarriage wide axle gauge | | ✓ |
| Cat Product Link™ | ✓ | | Rear outrigger/front blade undercarriage | | ✓ |
| Remote Flash capability | ✓ | | Rear outrigger/front outrigger undercarriage | | ✓ |
| Remote Troubleshoot capability | ✓ | | Fenders, front and rear, synthetic | | ✓ |
| Compatibility with radios and base stations from Trimble | | ✓ | Travel restraint bracket for grapple/clamshell | | ✓ |
| Capability to install 3D grade systems from Trimble | | ✓ | 5000 kg (11,020 lb) counterweight | | ✓ |
| Cat Grade with 2D | | ✓ | Trailer Package | | ✓ ⁽¹⁾ |
| Cat Grade with Advanced 2D | | ✓ | | | |
| Cat Grade with 3D | | ✓ | | | |
| Payload | | ✓ | | | |
| 2D E-Fence | | ✓ | | | |

⁽¹⁾Available in Europe only.

M319 Attachments

Dealer Installed Kits and Attachments

Attachments may vary. Consult your Cat dealer for details.

CAB

- 75 mm (3") retractable seat belt

SAFETY AND SECURITY

- Bluetooth key fob

GUARDS

- Falling object guard system (not compatible with cab light cover, rain protector)
- Mesh guard full front (not compatible with cab light cover, rain protector)

Cab Options

| | Deluxe | Premium |
|---|--------|---------|
| Sound-suppressed ROPS cab | ● | ● |
| Heated seat with air-adjustable suspension | ● | X |
| Heated and cooled seat with automatic adjustable suspension | X | ● |
| Height-adjustable console, infinite with no tool | ● | ● |
| High-resolution 254 mm (10") LCD touchscreen monitor | ● | ● |
| Mechanical mirror | ● | X |
| Electrical mirror | X | ● |
| Automatic bi-level air conditioner | ● | ● |
| Jog dial and shortcut keys for monitor control | ● | ● |
| Keyless push-to-start engine control | ● | ● |
| 51 mm (2") orange seat belt | ● | ● |
| Unfastened seat belt warning | ● | ● |
| Bluetooth integrated radio (including USB, auxiliary port and microphone) | ● | ● |
| Auxiliary relay | ○ | ○ |
| 2 × 12V DC outlets | ● | ● |
| Document storage | ● | ● |
| Cup and bottle holders | ● | ● |
| Openable two-piece front window (laminated) | ● | ○ |
| Fixed one-piece front window (P5A classified)* | X | ○ |
| Parallel wiper with washer | ● | ● |
| Fixed glass skylight | ● | ● |
| LED dome lights | ● | ● |
| Foot illumination | ● | ● |
| Roller rear sunscreen | X | ● |
| Rear window emergency exit | ● | ● |
| Washable floor mat | ● | ● |
| Beacon ready | ● | ● |
| Falling Object Guard Structure (FOGS) "ready" | ● | ● |
| Vandalism "ready" | ● | ● |
| Two LED cab lights | ● | ● |
| Rain visor | ● | ● |

*Europe only

● Standard

○ Optional

X Not available

M319 Environmental Declaration

The following information applies to the machine at the time of final manufacture as configured for sale in the regions covered in this document. The content of this declaration is valid as of the date issued; however, content related to machine features and specifications are subject to change without notice. For additional information, please see the machine's Operation and Maintenance Manual.

For more information on sustainability in action and our progress, please visit <https://www.caterpillar.com/en/company/sustainability>.

Engine

- The Cat® C4.4 engine meets U.S. EPA Tier 4 Final and EU Stage V emission standards.
- Cat diesel engines are required to use ULSD (ultra-low sulfur diesel fuel with 15 ppm of sulfur or less) or ULSD blended with the following lower-carbon intensity fuels up to:
 - ✓ 20% biodiesel FAME (fatty acid methyl ester)*
 - ✓ 100% renewable diesel, HVO (hydrotreated vegetable oil) and GTL (gas-to-liquid) fuels

Refer to guidelines for successful application. Please consult your Cat dealer or “Caterpillar Machine Fluids Recommendations” (SEBU6250) for details.

**Engines with no aftertreatment devices can use higher blends, up to 100% biodiesel (for use of blends higher than 20% biodiesel, consult your Cat dealer).*

Air Conditioning System

- The air conditioning system on this machine contains the fluorinated greenhouse gas refrigerant R134a (Global Warming Potential = 1430). The system contains 1.0 kg (2.2 lb) of refrigerant which has a CO₂ equivalent of 1.43 metric tonnes (1.576 tons).

Paint

- Based on best available knowledge, the maximum allowable concentration, measured in parts per million (PPM), of the following heavy metals in paint are:
 - Barium < 0.01%
 - Cadmium < 0.01%
 - Chromium < 0.01%
 - Lead < 0.01%

Sound Performance

Operator Sound 2000/14/EC – 70 dB(A)

Spectator Sound 2000/14/EC – 98 dB(A)

- Operator Sound – The operator sound level is measured according to the procedures specified in 2000/14/EC, for a cab offered by Caterpillar, when properly installed and maintained and tested with the door and windows closed.
- Exterior Sound – The labeled spectator sound power level is measured according to the test procedures and conditions specified in 2000/14/EC.
- Hearing protection may be needed when operating with an open operator station and cab (when not properly maintained or doors/windows open) for extended periods or in noisy environment(s).

Oils and Fluids

- Caterpillar factory fills with ethylene glycol coolants. Cat Diesel Engine Antifreeze/Coolant (DEAC) and Cat Extended Life Coolant (ELC) can be recycled. Consult your Cat dealer for more information.
- Cat Bio HYDO Advanced is an EU Ecolabel approved biodegradable hydraulic oil.
- Additional fluids are likely to be present, please consult the Operations and Maintenance Manual or the Application and Installation guide for complete fluid recommendations and maintenance intervals.

Features and Technology

- The following features and technology may contribute to fuel savings and/or carbon reduction. Features may vary. Consult your Cat dealer for details.
 - Advanced hydraulic systems balance power and efficiency
 - New hydraulic oil filter provides longer life with a 3,000-hour replacement interval – 50% longer than previous filter designs
 - ECO mode minimizes fuel consumption for light applications
 - One-touch low idle with automatic engine speed control
 - Optional Cat Grade with 2D improves operator efficiency by up to 45%
 - Optional Cat Payload on-board weighing system increases loading efficiency
 - Remote Flash and Remote Troubleshoot

For more complete information on Cat products, dealer services, and industry solutions, visit us on the web at www.cat.com

© 2022 Caterpillar
All rights reserved

Materials and specifications are subject to change without notice. Featured machines in photos may include additional equipment. See your Cat dealer for available options.

CAT, CATERPILLAR, LET'S DO THE WORK, their respective logos, "Caterpillar Corporate Yellow," the "Power Edge" and Cat "Modern Hex" trade dress as well as corporate and product identity used herein, are trademarks of Caterpillar and may not be used without permission.

AEXQ3138-03 (10-2022)
Replaces AEXQ3138-02
Build Number: 07C
(Eur, N Am)

